



# EUROPEAN ANTENNAS

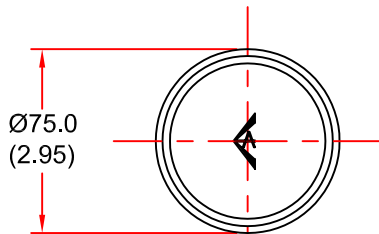
Excellence through design  
Creative in concept



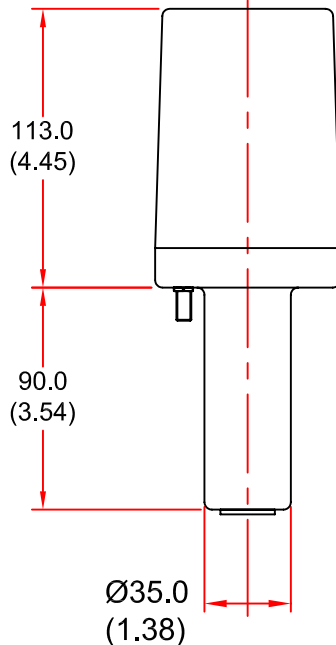
## HEMI OMNI ANTENNA

MODEL: HOA2-15R/872

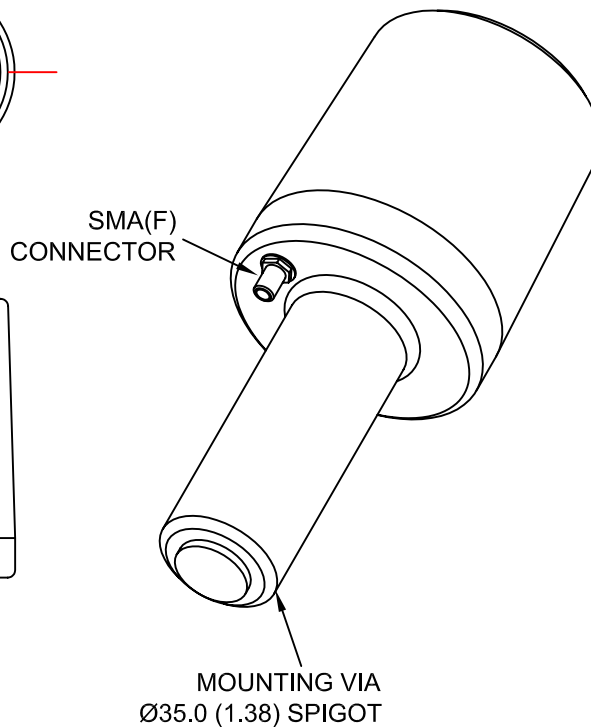
FREQUENCY:	1.52 - 1.59 GHz	GAIN:	2 dBiC Nominal
POLARISATION:	Right Hand Circular	BEAMWIDTH:	360° x 160°
AXIAL RATIO:	3 dB Typical	VSWR:	1.5 : 1
POWER RATING:	10 W	FRONT TO BACK:	N/A
TEMPERATURE:	-20°C to +50°C	MASS:	255 g/9 oz
RADOME:	Beige Polypropylene	WIND LOADING:	1.9Kg/4.15 lbs @ 100mph



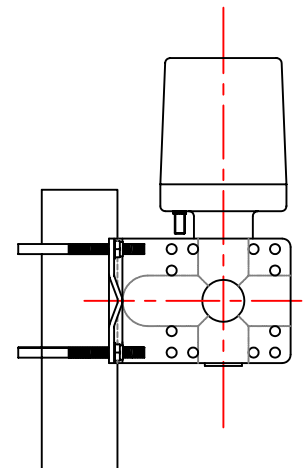
PLAN VIEW



SIDE VIEW



ISOMETRIC VIEW



OPTIONAL MOUNTING KIT  
(FITS Ø32.0-Ø54.0  
MOUNTING POLE)

DIMENSIONS: mm (inches)

GA 872-1 Issued 101001

EUROPEAN ANTENNAS LTD.

LAMBDA HOUSE, CHEVELEY,  
NEWMARKET, SUFFOLK, CB8 9RG,  
UNITED KINGDOM.

TEL: +44 (0)1638 731888

FAX: +44 (0)1638 731999

E-Mail: sales@european-antennas.co.uk

Website: www.european-antennas.co.uk