



EUROPEAN ANTENNAS

Excellence through design
Creative in concept



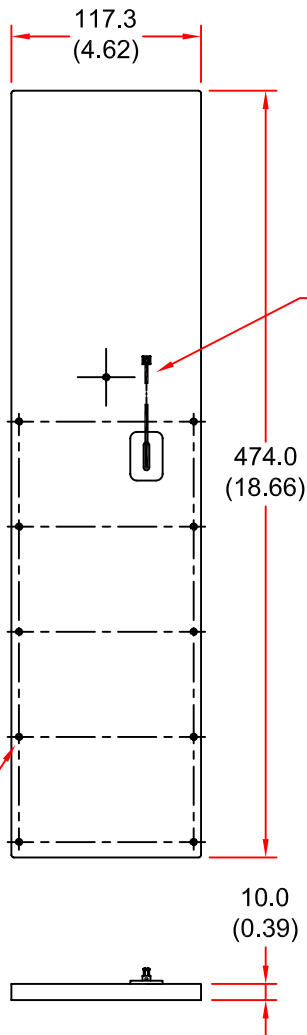
SECTOR ANTENNA

MODEL: SA16-35V-WM/978

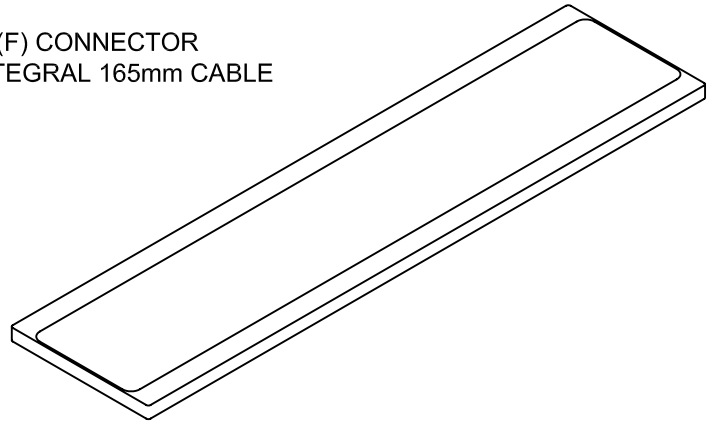
CONFORMS TO ETSI EN 302 085 V1.1.2 CLASS CS 2 ASYMMETRICAL ELEVATION PATTERN

FREQUENCY:	3.40 - 3.70 GHz	GAIN:	16 dBi Nominal
POLARISATION:	Linear (Vertical)	BEAMWIDTH:	60° x 10°
CROSS POLAR:	20dB Minimum	VSWR:	1.5:1
POWER RATING:	20 W	FRONT TO BACK:	30 dB
ELECTRICAL D'TILT:	2° Nominal	MASS:	960 g / 2.11 lbs
TEMPERATURE:	-45°C to +65°C	WIND LOADING:	9.02 Kg / 19.84 lbs @ 100 mph
RADOME:	Gloss White	CHASSIS:	Alocrom 1200
INDEX OF ENVIRONMENTAL PROTECTION: IP67 when mounted to customers chassis			

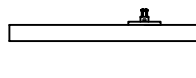
REAR VIEW



ISOMETRIC VIEW



END VIEW



DIMENSIONS: mm (inches)

GA 978 - 2 Issued 161002

EUROPEAN ANTENNAS LTD.

LAMBDA HOUSE, CHEVELEY,
NEWMARKET, SUFFOLK, CB8 9RG,
UNITED KINGDOM.

TEL: +44 (0)1638 731888

FAX: +44 (0)1638 731999

E-Mail: sales@european-antennas.co.uk

Website: www.european-antennas.co.uk