



EUROPEAN ANTENNAS

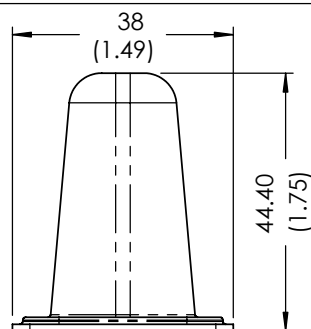
Excellence through design
Creative in concept

BLADE ANTENNA

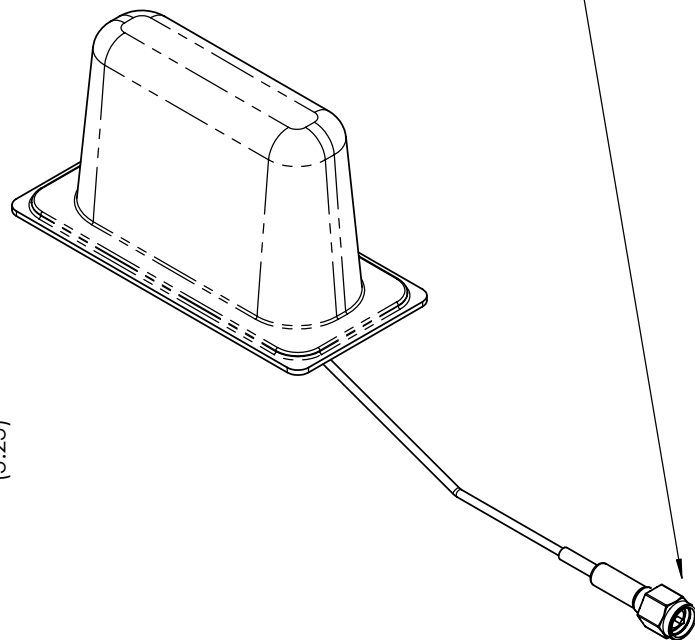
MODEL: HDA-1394-SMA/903

FREQUENCY:	1.35 - 1.43 GHz	GAIN:	2 dBi Nom
POLARISATION:	Linear Mixed	BEAMWIDTH:	360° (Az) x 80° (El)
POWER RATING:	10 W	VSWR:	2.0:1
TEMPERATURE:	-20°C to +50°C	MASS:	30 g / 1.0 oz
FINISH:	Grey Polymer Radome	WIND LOADING:	0.49 Kg / 1.08 lbs @ 100 mph

END VIEW

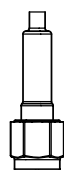
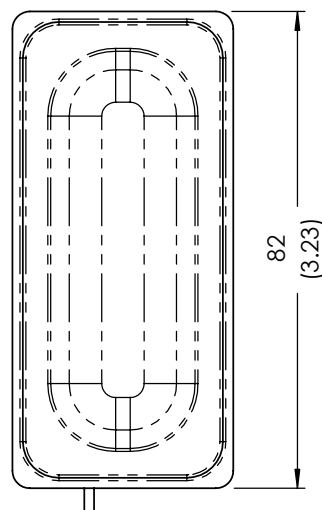


SMA(M) CONNECTOR WITH
INTEGRAL 680mm RG 316 CABLE



ISOMETRIC VIEW

PLAN VIEW



DIMENSIONS: mm (inches)

GA: 0903-1 Issued:121201

EUROPEAN ANTENNAS LTD.

Tel: +44 (0)1638 731888
Fax: +44 (0)1638 731999

LAMBDA HOUSE, CHEVELEY
NEWMARKET, SUFFOLK, CB8 9RG,
UNITED KINGDOM

E-Mail: sales@european-antennas.co.uk
Website: www.european-antennas.co.uk