



EUROPEAN ANTENNAS

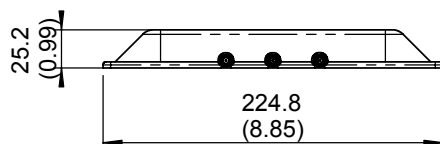
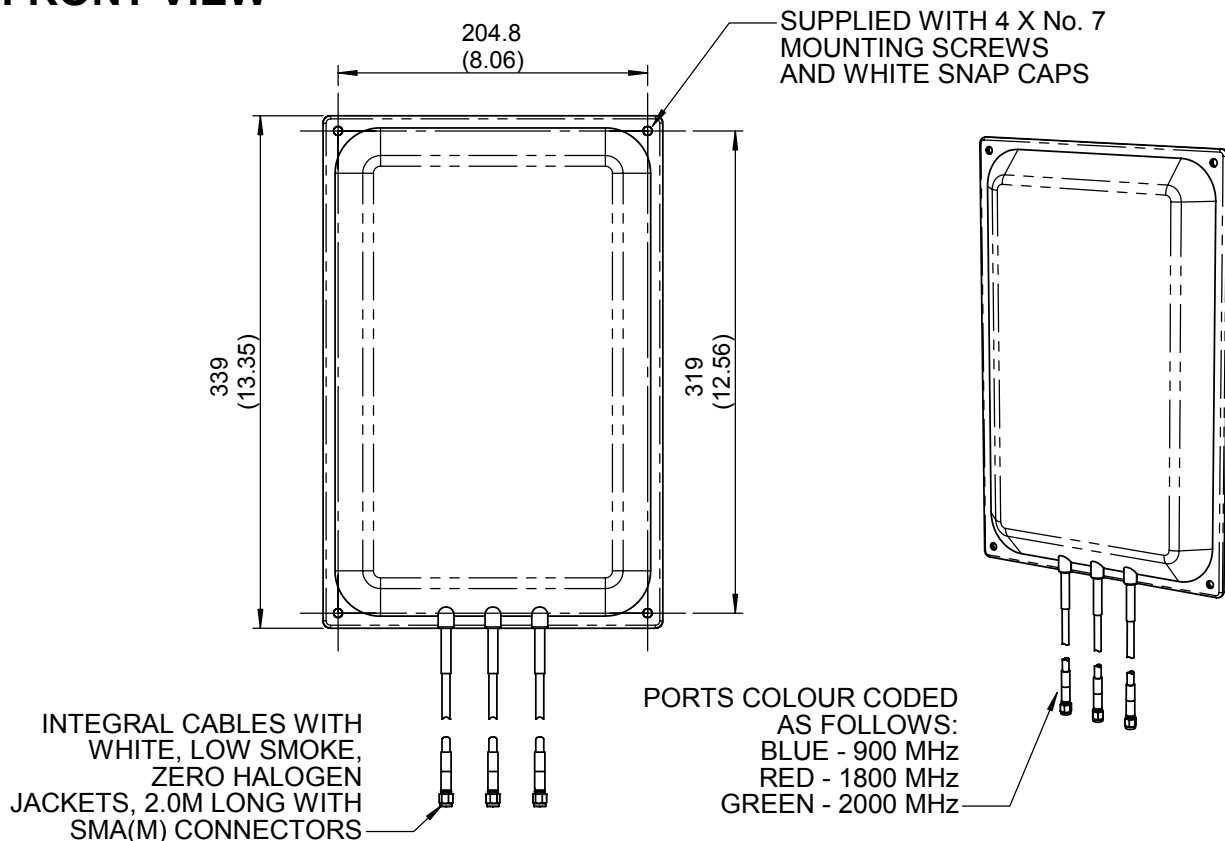
Excellence through design
Creative in concept

TRI-BAND LOW PROFILE ANTENNA

MODEL: LPA6-TRI-FL-D2/955

FREQUENCY:	880 - 960 MHz	GAIN:	6 dBi Nom.
	1710 - 1880 MHz	BEAMWIDTH:	80° (Azimuth) x 80° (Elevation) Approx.
	1920 - 2175 MHz	VSWR:	2 : 1 Max.
POLARISATION:	Linear (Vertical)	FRONT TO BACK:	20 dB Typ.
CROSS POLAR	15 dB	MASS:	1.1 Kg / 2.4 lbs
POWER RATING:	10 W	WIND LOADING:	12.3 Kg / 27.2 lbs @ 100 mph
TEMPERATURE:	-20° to +50°C	FINISH:	White Radome/Alocrom Backplate

FRONT VIEW



BOTTOM VIEW

DIMENSIONS: mm (inches)

GA:955 -1 Issued:190802

EUROPEAN ANTENNAS LTD.

Tel: +44 (0)1638 731888
Fax: +44 (0)1638 731999

LAMBDA HOUSE, CHEVELEY
NEWMARKET, SUFFOLK, CB8 9RG,
UNITED KINGDOM

E-Mail: sales@european-antennas.co.uk
Website: www.european-antennas.co.uk