



EUROPEAN ANTENNAS

Excellence through design
Creative in concept

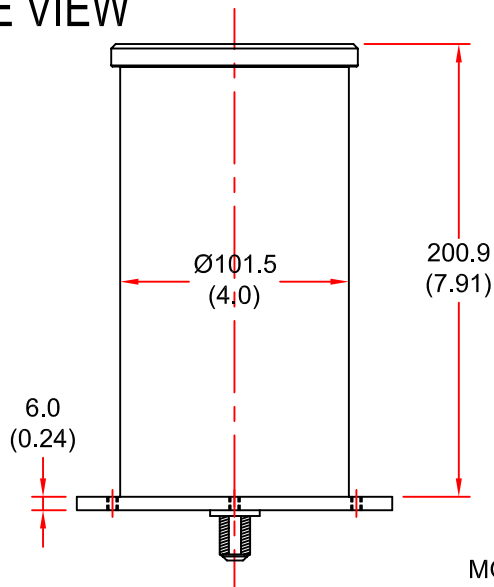


CIRCULAR POLARISED OMNI ANTENNA

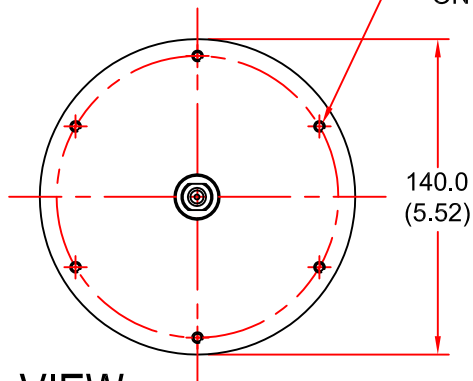
MODEL: LCO5-2400-MO1/852

FREQUENCY:	2.30 - 2.50 GHz	GAIN:	5 dBiC
POLARISATION:	L.H.Circular	BEAMWIDTH:	360° (Az) x 40° (EI)
CROSS POLAR:	2 - 3 dB Typ	VSWR:	1.5:1
POWER RATING:	10 W	FRONT TO BACK:	N/A
TEMPERATURE:	-20°C to +50°C	MASS:	600g / 1.32 lbs
FINISH:	Glass Fibre Gloss White	WIND LOADING:	3.40 Kg / 7.6 lbs @ 100 mph

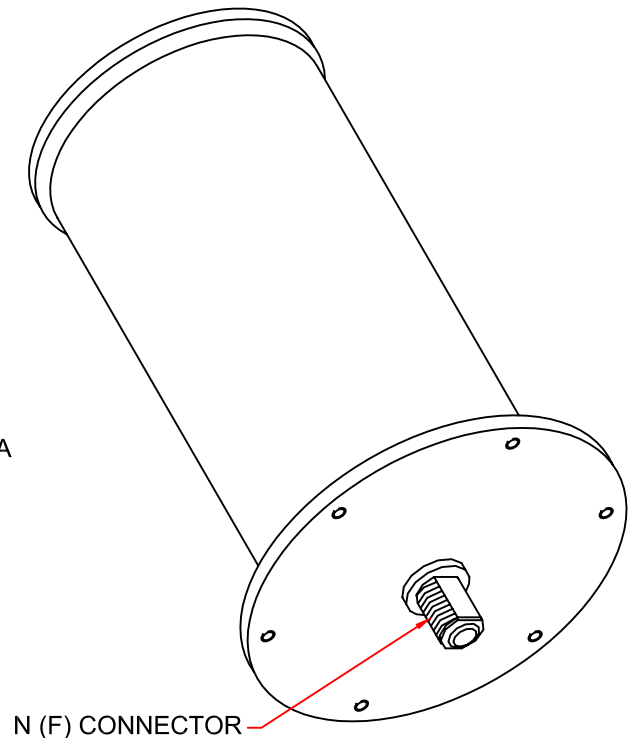
SIDE VIEW



MOUNTING VIA
6 x M5 THRO'
EQUI SPACED
ON 125.0 PCD



BASE VIEW



ISOMETRIC VIEW

DIMENSIONS: mm (inches)

GA 0852-1 Issued 020501

EUROPEAN ANTENNAS LTD.

LAMBDA HOUSE, CHEVELEY,
NEWMARKET, SUFFOLK, CB8 9RG,
UNITED KINGDOM.

TEL: +44 (0)1638 731888
FAX: +44 (0)1638 731999

E-Mail: sales@european-antennas.co.uk
Website: www.european-antennas.co.uk