



EUROPEAN ANTENNAS

Excellence through design
Creative in concept

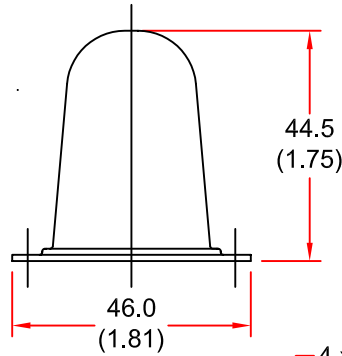


BLADE ANTENNA

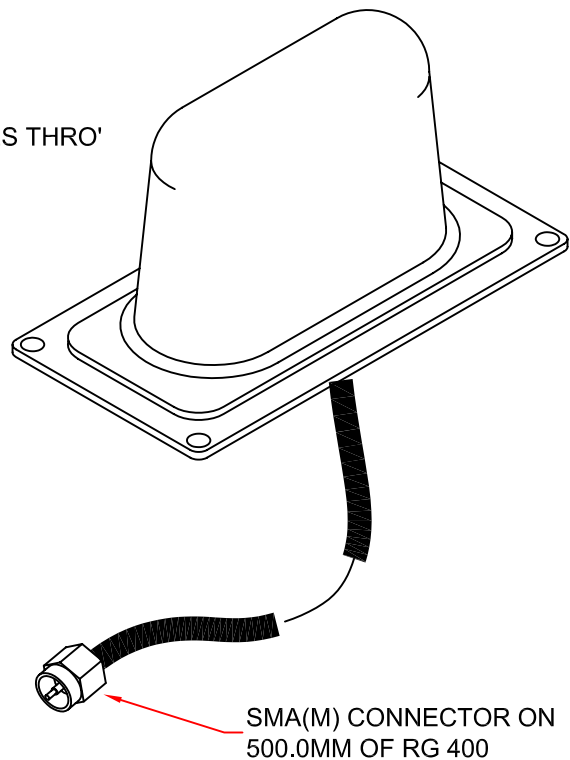
MODEL: HDA-2050/913

FREQUENCY:	1.920 - 2.175 GHz	GAIN:	4.5 dBi Nominal
POLARISATION:	Linear (Vertical)	BEAMWIDTH:	150° Az. x 80° El.
CROSS POLAR:	> 20 dB Typical	VSWR:	2:1
POWER RATING:	5 W	FRONT TO BACK:	>8 dB
TEMPERATURE:	-20°C to +50°C	MASS:	100 g / 4 oz
RADOME:	Gloss White	WIND LOADING:	N/A

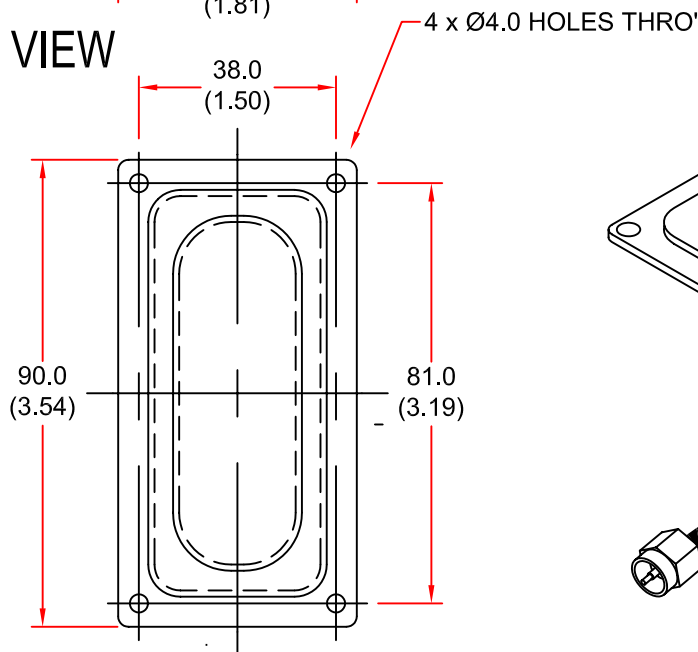
END VIEW



ISOMETRIC VIEW



PLAN VIEW



DIMENSIONS: mm (inches)

GA 913-1 Issued 041201

EUROPEAN ANTENNAS LTD.

TEL: +44 (0)1638 731888
FAX: +44 (0)1638 731999

LAMBDA HOUSE, CHEVELEY,
NEWMARKET, SUFFOLK, CB8 9RG,
UNITED KINGDOM.

E-Mail: sales@european-antennas.co.uk
Website: www.european-antennas.co.uk