



EUROPEAN ANTENNAS

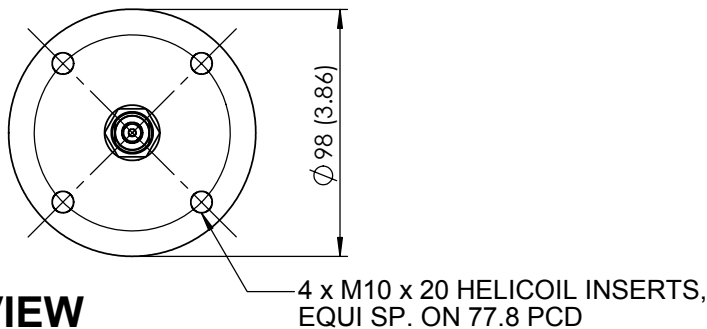
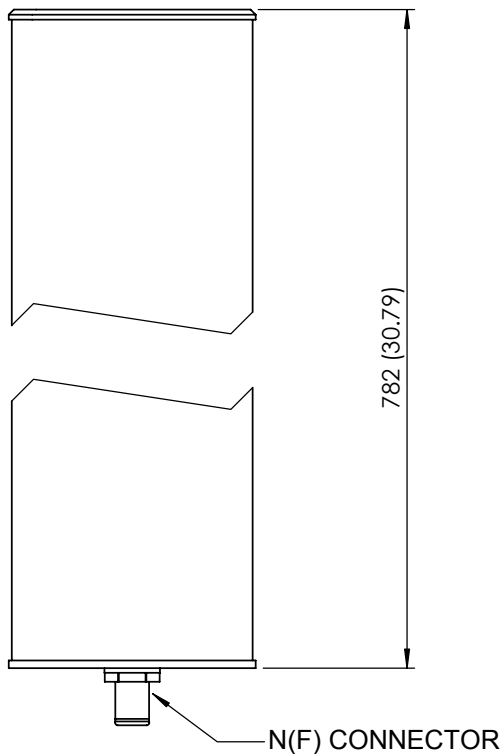
Excellence through design
Creative in concept

EXTENDED PERFORMANCE OMNI ANTENNA

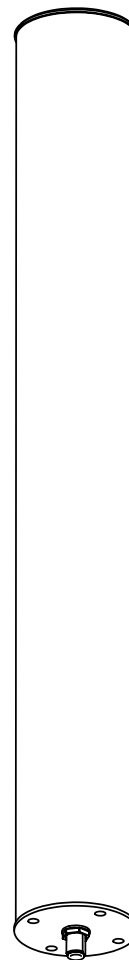
MODEL: XVO9-3880/944

| | | | |
|----------------------|--------------------|-----------------------|--------------------------------|
| FREQUENCY: | 3.70 - 4.06 GHz | GAIN: | 9 dBi Nom.on mean of ripple |
| POLARISATION: | Linear (Vertical) | BEAMWIDTH: | 360° (Az) x 7° (Ei) |
| CROSS POLAR: | 20dB Typical | VSWR: | 2 : 1 |
| POWER RATING: | 50 W | FRONT TO BACK: | N/A |
| TEMPERATURE: | -45°C to +45°C | MASS: | 1.45 Kg / 3.19 lbs |
| FINISH: | Gloss White Radome | WIND LOADING: | 12.27 Kg / 27.00 lbs @ 100 mph |

SIDE VIEW



BASE VIEW



PICTORIAL VIEW

DIMENSIONS: mm (inches)
GA: 0944-1 Issued: 250702

EUROPEAN ANTENNAS LTD.

Tel: +44 (0)1638 731888
Fax: +44 (0)1638 731999

LAMBDA HOUSE, CHEVELEY
NEWMARKET, SUFFOLK, CB8 9RG,
UNITED KINGDOM

E-Mail: sales@european-antennas.co.uk
Website: www.european-antennas.co.uk