



EUROPEAN ANTENNAS

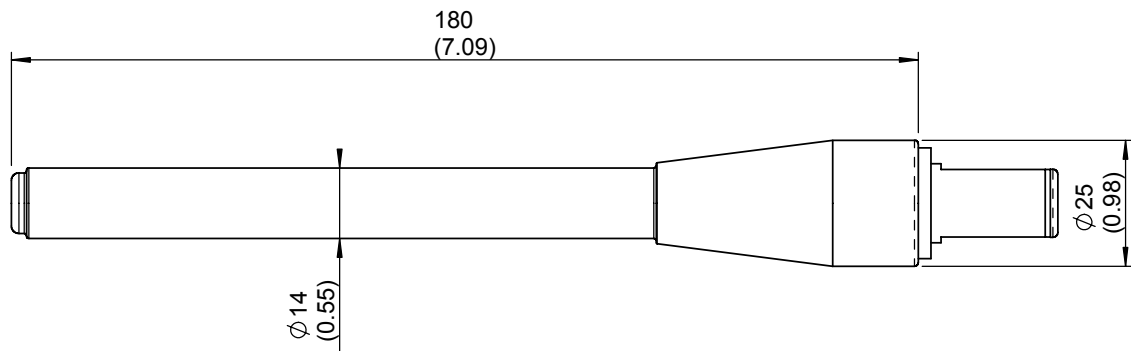
Excellence through design
Creative in concept

EXTENDED PERFORMANCE DIPOLE ANTENNA

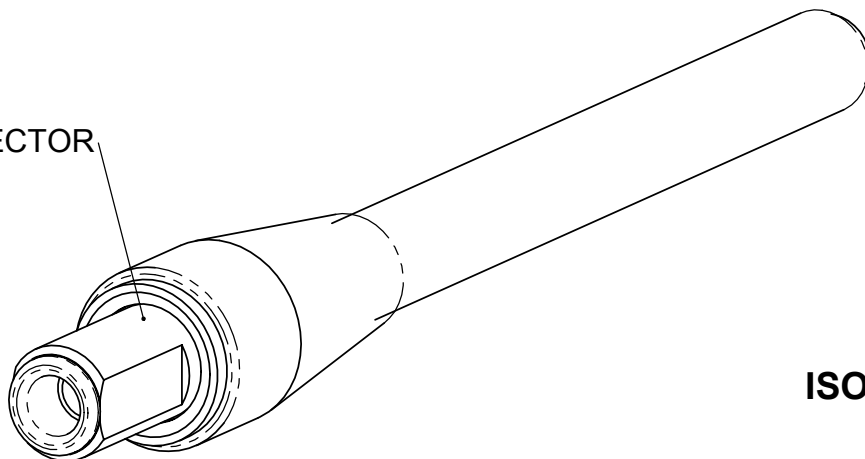
MODEL: EVD2-2450-D1/926

FREQUENCY:	2.35 - 2.55 GHz	GAIN:	2 dBi
POLARISATION:	Linear (Vertical)	BEAMWIDTH:	360° (Az) X 80° (El)
CROSS POLAR:	15 - 20 dB	VSWR:	1.5 : 1 2.0 : 1 Max
POWER RATING:	10 W	FRONT TO BACK:	N/A
TEMPERATURE:	-20° to +50°C	MASS:	150 g/5 oz
FINISH:	White	WIND LOADING:	0.46Kg/1.0lbs @100mph

SIDE VIEW



N(F) CONNECTOR



ISOMETRIC VIEW

DIMENSIONS: mm (inches)

GA:0926-1 Issued:040302

EUROPEAN ANTENNAS LTD.

Tel: +44 (0)1638 731888
Fax: +44 (0)1638 731999

LAMBDA HOUSE, CHEVELEY
NEWMARKET, SUFFOLK, CB8 9RG,
UNITED KINGDOM

E-Mail: sales@european-antennas.co.uk
Website: www.european-antennas.co.uk