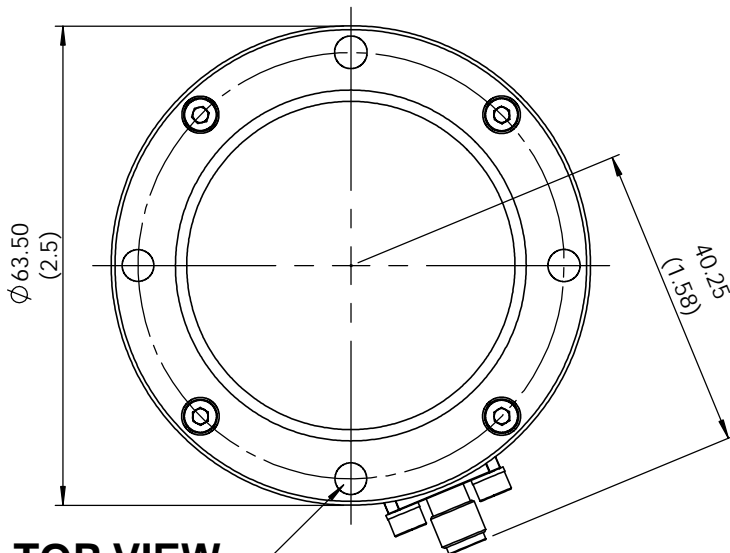


LOW PROFILE ANTENNA

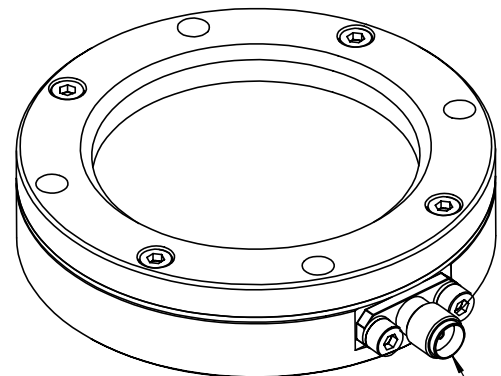
MODEL: LPA7-6450R/820

FREQUENCY:	6.30 - 6.70 GHz	GAIN:	8.4 dBi Typical
POLARISATION:	Circular (Right Hand)	BEAMWIDTH:	70°(Azimuth) x 70°(Elevation)
CROSS POLAR	2 dB Typical	VSWR:	1.5:1
POWER RATING:	5 W	FRONT TO BACK:	20 dB Minimum
TEMPERATURE:	-20° to +50°C	MASS:	88.5 g / 3.16 oz
FINISH:	Matt Black	WIND LOADING:	0.5 Kg / 1.13 lbs @ 100 mph



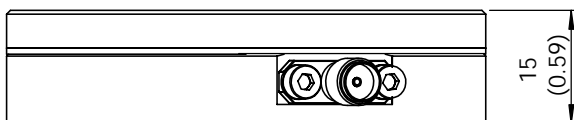
TOP VIEW

MOUNTING VIA
4 OFF ϕ 4.25(0.16) HOLES
EQUI-SPACED ON 56.5(2.22) PCD



SMA(F) CONECTOR

ISOMETRIC VIEW



SIDE VIEW

DIMENSIONS: mm (inches)
GA: 820 - 1 Issued:180401

EUROPEAN ANTENNAS LTD.

Tel: +44 (0)1638 731888
Fax: +44 (0)1638 731999

LAMBDA HOUSE, CHEVELEY
NEWMARKET, SUFFOLK, CB8 9RG,
UNITED KINGDOM

E-Mail: sales@european-antennas.co.uk
Website: www.european-antennas.co.uk