

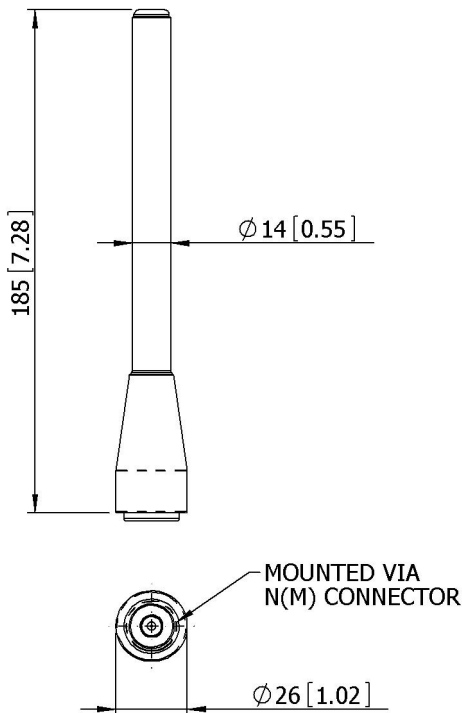
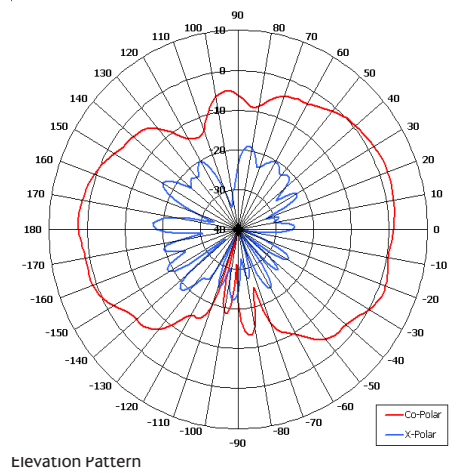
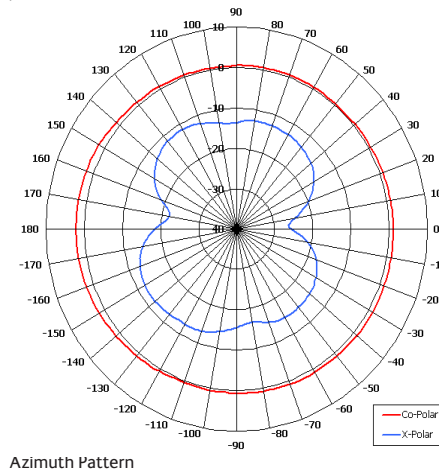
EVD2-1920-2175-NM/669



Rugged Omni Antenna

The most important thing we build is trust

- Designed for Cellular DAS Applications
- Suitable for Mobile Applications
- Compact
- Connector Options
- Ground Plane Independent



ELECTRICAL

Frequency	1.92 - 2.175 GHz
Gain	1-2 dBi Nom
Polarisation	Linear (Vertical)
Beamwidth	360° (Az) x 80° (El) Approx
Cross Polar	10 dB Typ
VSWR	2:1
Power Rating	25 W
Front to Back	N/A

MECHANICAL

Standard Finish	Matt Black
Mass	90g (3 oz)
Temperature	-20° to +50°C
Wind Loading	0.46 Kg (1 lbs) @ 100mph

MOUNTING OPTIONS

Kits Available	N/A
See separate data sheets	

ADDITIONAL NOTES

GA: 0669

European Antennas Limited trading as Cobham Antenna Systems, Microwave Antennas

European Antennas Limited has a policy of continuous development and stress that the information provided is a guide only and does not constitute an offer or contract or part thereof. Whilst every effort is made to ensure the accuracy of the information contained in this brochure, no responsibility can be accepted for any errors or omissions.

The copyright of antenna designs and images is copyright protected and owned by European Antennas Limited.
©European Antennas Limited

Issued 210510

For further information please contact:

Cobham Antenna Systems, Microwave Antennas
Lambda House, Cheveley,
Newmarket, Suffolk CB8 9RG, UK.
Tel +44 (0)1638 732 177
Fax +44 (0) 1638 731999
Email newmarket.sales@cobham.com