

LPA7-23L/686

COBHAM

Directional Antenna

The most important thing we build is trust

Designed for Security Applications

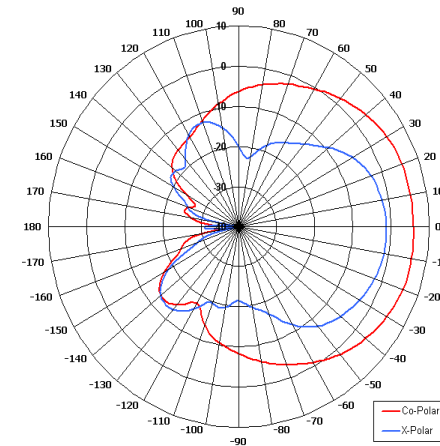
Suitable for Multiple Applications

Wide Band

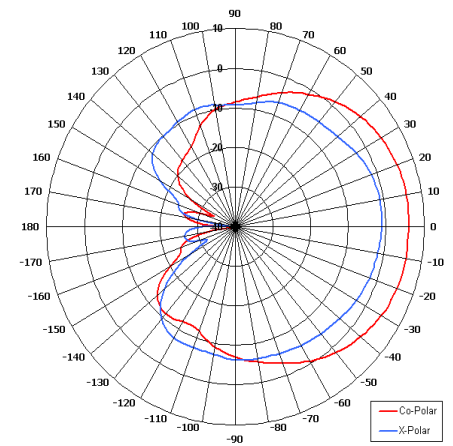
Left Hand Circular Polarised

Low Profile

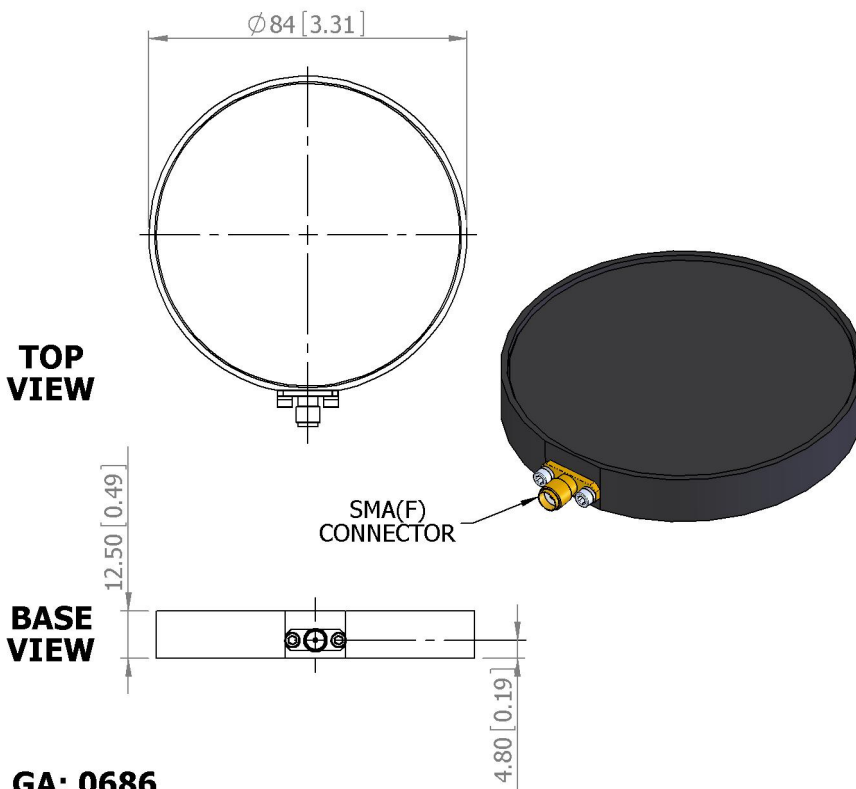
Lightweight



Azimuth Pattern



Elevation Pattern



GA: 0686

ELECTRICAL

Frequency	2.10 - 2.50 GHz
Gain	6-8 dBiC Nom
Polarisation	Left Hand Circular
Beamwidth	80° (Az) x 80° (El) Approx
Axial Ratio	4 dB Typ
VSWR	2:1 Max
Power Rating	10 W
Front to Back	20 dB Typ

MECHANICAL

Standard Finish	Matt Black
Mass	91 g (3.3 oz)
Temperature	-20° to +50°C
Wind Loading	0.96 Kg (2.0 lbs) @ 100 mph

MOUNTING OPTIONS

Kits Available	N/A
See separate data sheets	

ADDITIONAL NOTES

Issued 181110

European Antennas Limited trading as Cobham Antenna Systems, Microwave Antennas

European Antennas Limited has a policy of continuous development and stress that the information provided is a guide only and does not constitute an offer or contract or part thereof. Whilst every effort is made to ensure the accuracy of the information contained in this brochure, no responsibility can be accepted for any errors or omissions.

The copyright of antenna designs and images is copyright protected and owned by European Antennas Limited.
©European Antennas Limited

For further information please contact:

Cobham Antenna Systems, Microwave Antennas
Lambda House, Cheveley,
Newmarket, Suffolk CB8 9RG, UK.
Tel +44 (0)1638 732 177
Fax +44 (0) 1638 731999
Email newmarket.sales@cobham.com