



# EUROPEAN ANTENNAS

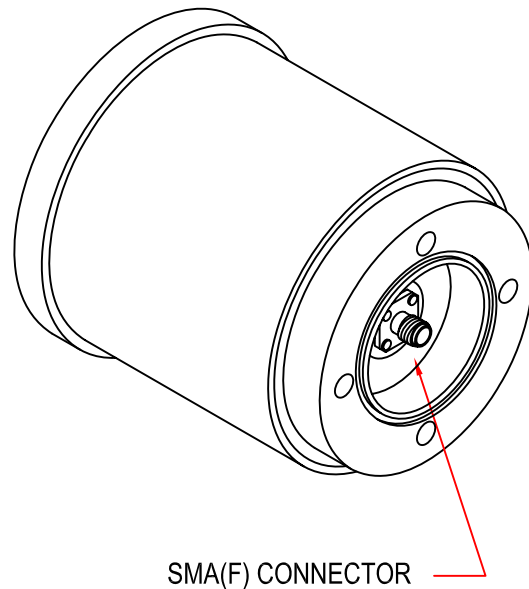
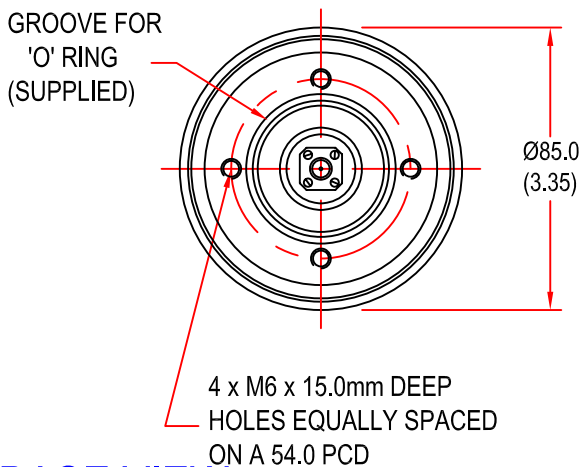
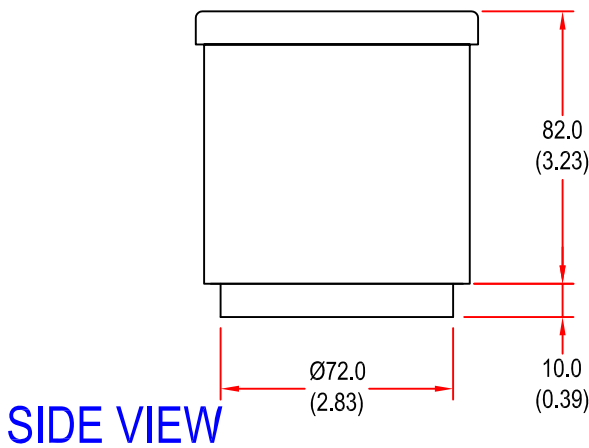
Excellence through design  
Creative in concept



## CIRCULARLY POLARISED OMNI ANTENNA

MODEL: RCO4-1020/613

FREQUENCY:	9.4-11.0 GHz	GAIN:	4 dBiC
POLARISATION:	Right Hand Circular	BEAMWIDTH:	360° x 50°
AXIAL RATIO:	3 dB Typical	VSWR:	1.5:1 Typical
POWER RATING:	10 W	FRONT TO BACK:	N/A
TEMPERATURE:	-20°C to +50°C	MASS:	435g/0.98lbs
FINISH:	Matt Black	WIND LOADING:	1.35Kg/2.97lbs @ 100mph



DIMENSIONS: mm (inches)

GA 613-4 Issued 080207

EUROPEAN ANTENNAS LTD.

LAMBDA HOUSE, CHEVELEY,  
NEWMARKET, SUFFOLK, CB8 9RG,  
UNITED KINGDOM.

TEL: +44 (0)1638 731888

FAX: +44 (0)1638 731999

E-Mail: [sales@european-antennas.co.uk](mailto:sales@european-antennas.co.uk)

Website: [www.european-antennas.co.uk](http://www.european-antennas.co.uk)