



EUROPEAN ANTENNAS

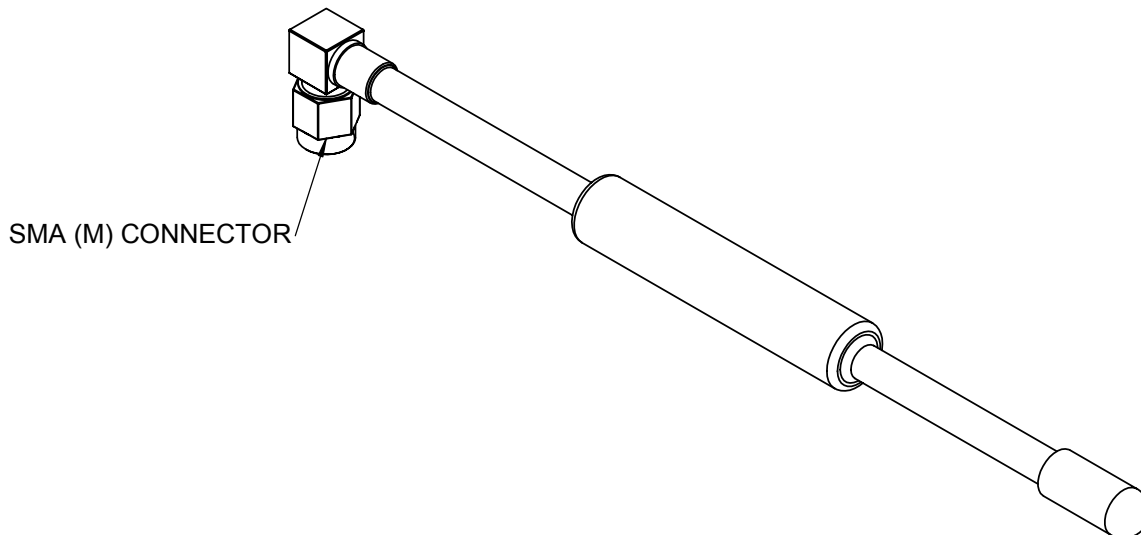
Excellence through design
Creative in concept

SLIM DIPOLE ANTENNA

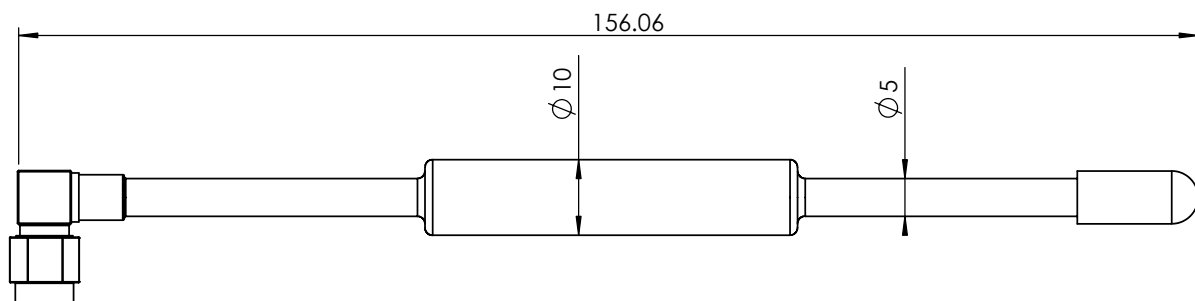
MODEL: SVD2-1394-SMA90/784

FREQUENCY:	1.35 - 1.45 GHz	GAIN:	2 dBi
POLARISATION:	Linear (Vertical)	BEAMWIDTH:	360° (Az) x 80° (El)
CROSS POLAR:	15 dB	VSWR:	2:1
POWER RATING:	20 W	FRONT TO BACK:	N/A
TEMPERATURE:	-20° to +50°C	MASS:	70 g / 2.5 oz
FINISH:	Matt Black	WIND LOADING:	N/A

ISOMETRIC VIEW



SMA (M) CONNECTOR



SIDE VIEW

DIMENSIONS: mm (inches)

GA: 784-1 Issued:190101

EUROPEAN ANTENNAS LTD.

Tel: +44 (0)1638 731888
Fax: +44 (0)1638 731999

LAMBDA HOUSE, CHEVELEY
NEWMARKET, SUFFOLK, CB8 9RG,
UNITED KINGDOM

E-Mail: sales@european-antennas.co.uk
Website: www.european-antennas.co.uk