



# EUROPEAN ANTENNAS

Excellence through design  
Creative in concept



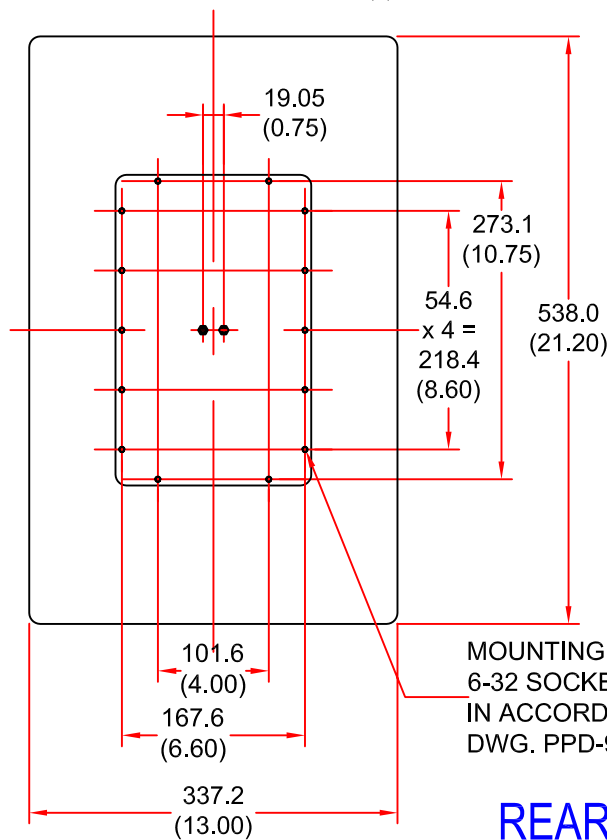
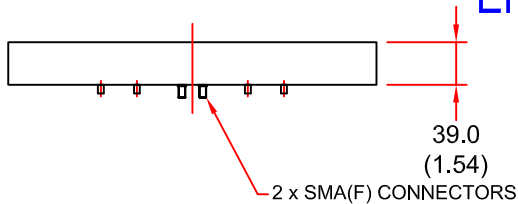
## LOW PROFILE ANTENNA

MODEL: DSA15-90H-3550C/755

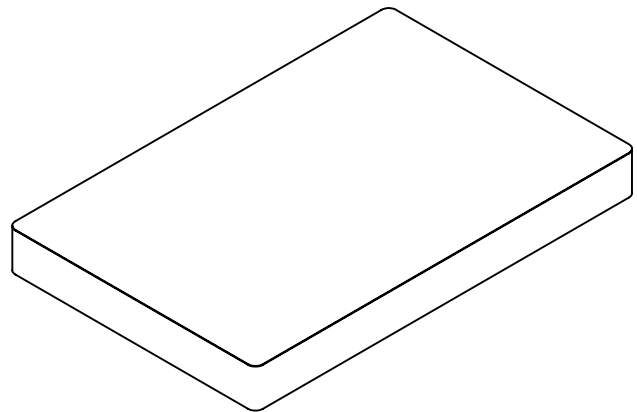
CONFORMS TO ETSI EN 302 085 V1.1.2 CLASS CS 2

FREQUENCY:	3.4 - 3.7 GHz	GAIN:	14.5 dBi Nominal
POLARISATION:	Dual Linear (Horizontal)	BEAMWIDTH:	90° (Azimuth) x 10° (Elevation)
CROSS POLAR:	23 dB Min	VSWR:	1.5 : 1
POWER RATING:	20 W	FRONT TO BACK:	>25 dB
TEMPERATURE:	-40°C to +55°C	MASS:	2.4 Kg/5.3 lbs
RADOME:	Harris Platinum Grey	WIND LOADING:	29.4 Kg/13.4 lbs @ 100 mph

### END VIEW



### REAR VIEW



### ISOMETRIC VIEW

DIMENSIONS: mm (inches)

GA 755 - 3 Issued 120901

EUROPEAN ANTENNAS LTD.

LAMBDA HOUSE, CHEVELEY,  
NEWMARKET, SUFFOLK, CB8 9RG,  
UNITED KINGDOM.

TEL: +44 (0)1638 731888

FAX: +44 (0)1638 731999

E-Mail: sales@european-antennas.co.uk

Website: www.european-antennas.co.uk