



EUROPEAN ANTENNAS

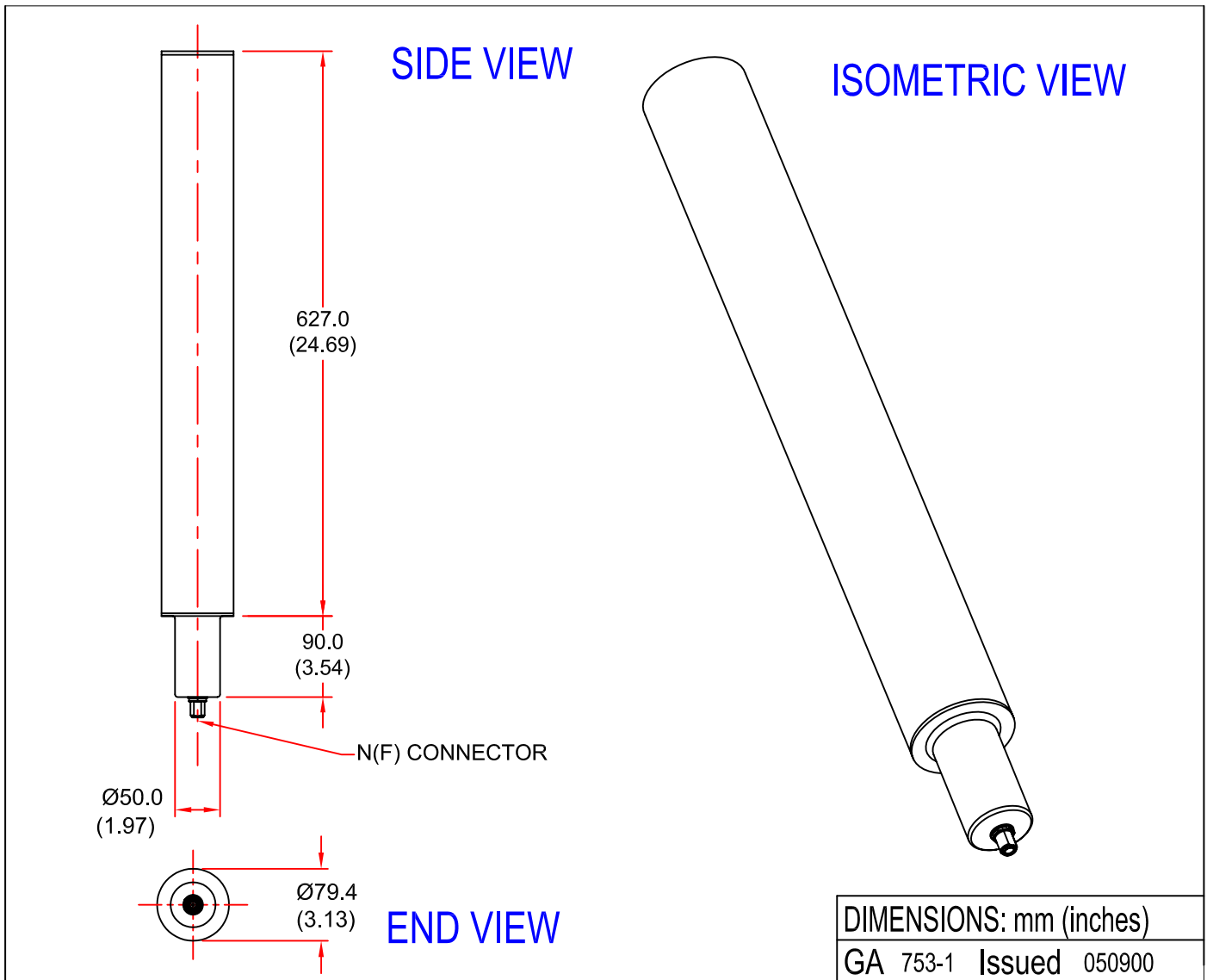
Excellence through design
Creative in concept



CIRCULAR OMNI ANTENNA

MODEL: LCO10-3450/753

FREQUENCY:	3.35 - 3.55 GHz	GAIN:	8 dBiC Minimum
POLARISATION:	Circular(L.H.C)	BEAMWIDTH:	360° (Azimuth) x 12° (Elevation)
AXIAL RATIO:	3dB Typical	VSWR:	1.5:1
POWER RATING:	10 W	FRONT TO BACK:	N/A
TEMPERATURE:	-20°C to +50°C	MASS:	1.1Kg / 2.4 lbs
FINISH:	Gloss White	WIND LOADING:	8.6 Kg / 18.9 lbs @ 100 mph



EUROPEAN ANTENNAS LTD.

TEL: +44 (0)1638 731888
FAX: +44 (0)1638 731999

LAMBDA HOUSE, CHEVELEY,
NEWMARKET, SUFFOLK, CB8 9RG,
UNITED KINGDOM.

E-Mail: sales@european-antennas.co.uk
Website: www.european-antennas.co.uk