



# EUROPEAN ANTENNAS

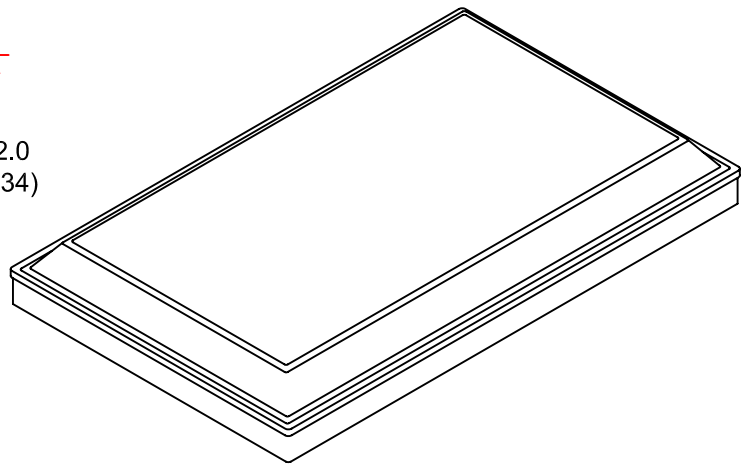
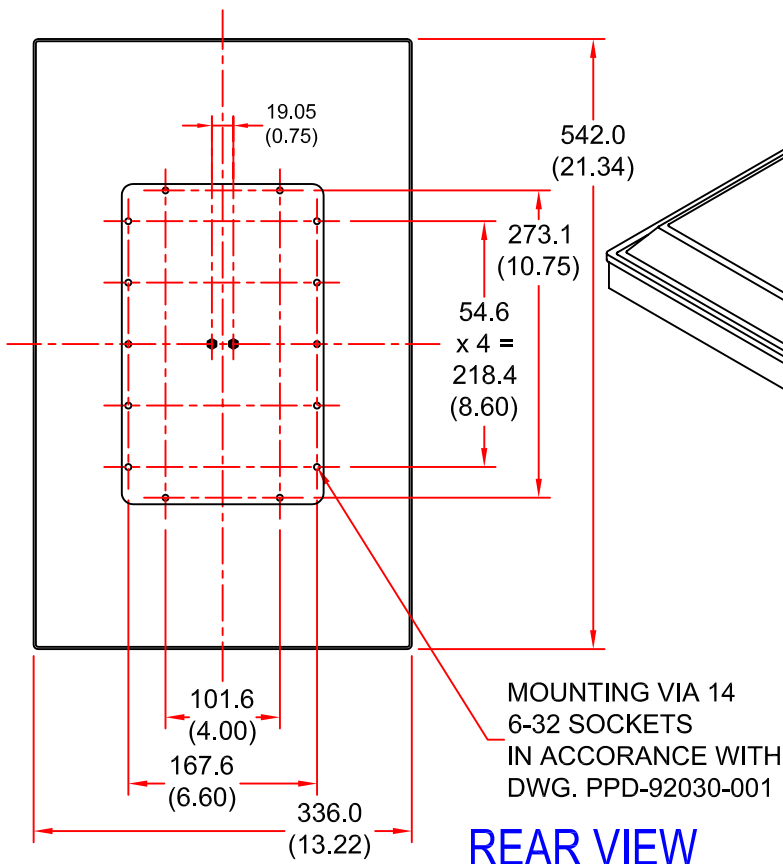
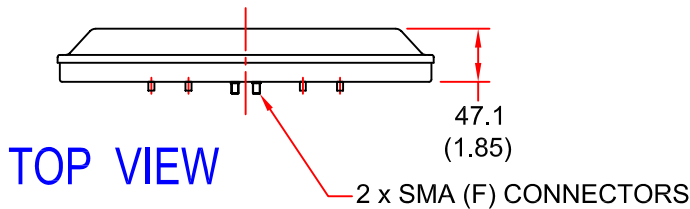
Excellence through design  
Creative in concept



## DUAL SECTOR ANTENNA

MODEL: DSA15-90V-3550C/756

FREQUENCY:	3.4 - 3.7 GHz	GAIN:	14.6 dBi Typical
POLARISATION:	Dual Linear (Vertical)	BEAMWIDTH:	90° (Azimuth) x 9° (Elevation)
CROSS POLAR:	CS2 Compliant	VSWR:	1.5:1
POWER RATING:	20 W	FRONT TO BACK:	CS2 Compliant
TEMPERATURE:	-40°C to +50°C	MASS:	2.32 Kg / 5.10 lbs
FINISH:	Harris Platinum Grey	WIND LOADING:	29.38 Kg / 64.65 lbs @ 100 mph



**ISOMETRIC VIEW**

**DIMENSIONS: mm (inches)**

GA 756-3 Issued 040401

EUROPEAN ANTENNAS LTD.

LAMBDA HOUSE, CHEVELEY,  
NEWMARKET, SUFFOLK, CB8 9RG,  
UNITED KINGDOM.

TEL: +44 (0)1638 731888

FAX: +44 (0)1638 731999

E-Mail: [sales@european-antennas.co.uk](mailto:sales@european-antennas.co.uk)

Website: [www.european-antennas.co.uk](http://www.european-antennas.co.uk)