



# EUROPEAN ANTENNAS

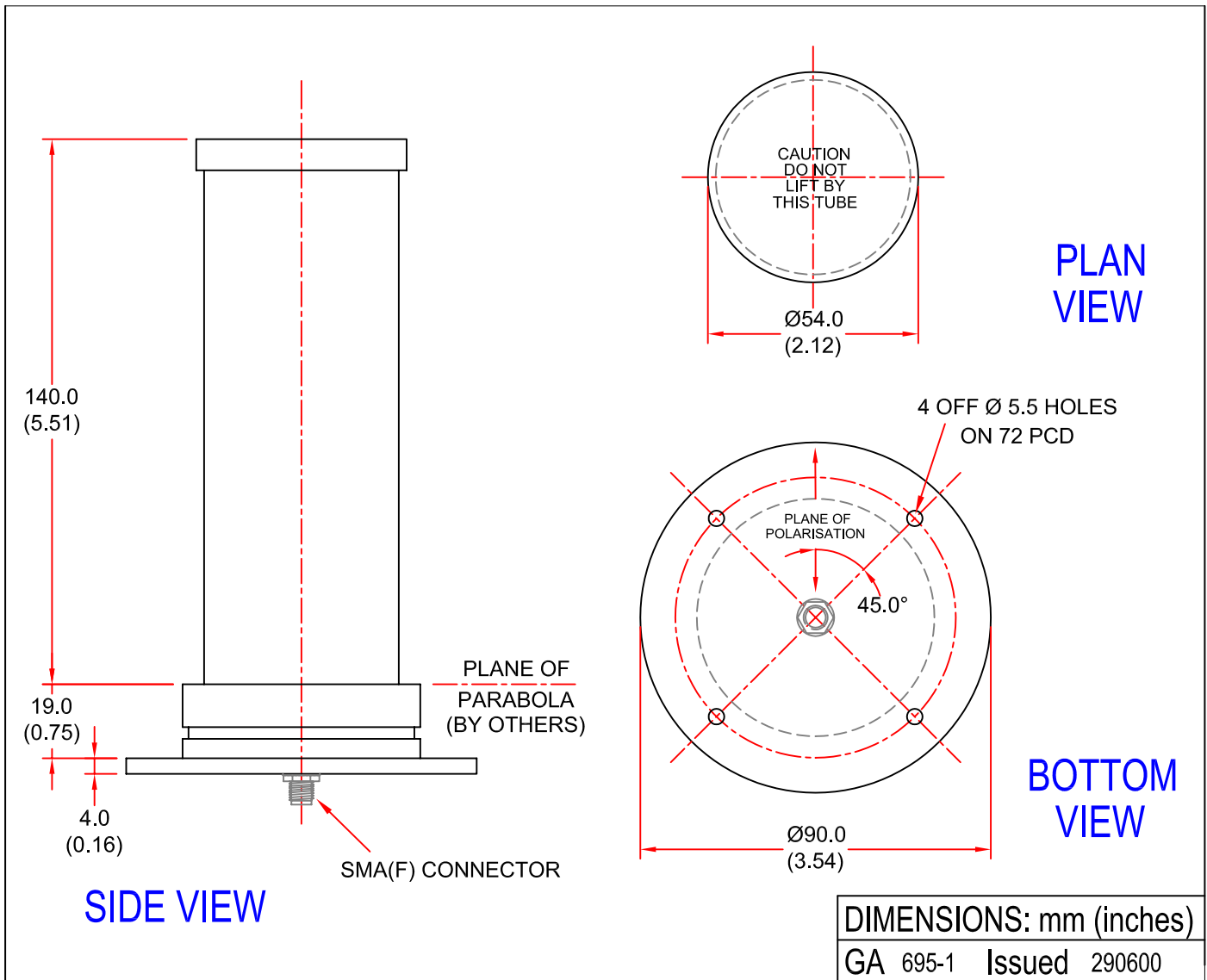
Excellence through design  
Creative in concept



## PARABOLIC ANTENNA

MODEL: PR26-98V/695

FREQUENCY:	9.7 - 10.0 GHz	GAIN:	26 dBi typical
POLARISATION:	Linear (Vertical)	BEAMWIDTH:	5° (Azimuth) x 5° (Elevation)
CROSS POLAR:	20 dB min	VSWR:	1.5:1
POWER RATING:	20 W	FRONT TO BACK:	30 dB typ.
TEMPERATURE:	-20°C to +50°C	MASS:	280 g / 0.62 lbs
RADOME FINISH:	S85 / 10-A-03 - GLOSS	WIND LOADING:	1.11 Kg / 2.45 lbs @ 100 mph



EUROPEAN ANTENNAS LTD.

TEL: +44 (0)1638 731888  
FAX: +44 (0)1638 731999

LAMBDA HOUSE, CHEVELEY,  
NEWMARKET, SUFFOLK, CB8 9RG,  
UNITED KINGDOM.

E-Mail: sales@european-antennas.co.uk  
Website: www.european-antennas.co.uk