



EUROPEAN ANTENNAS

Excellence through design
Creative in concept

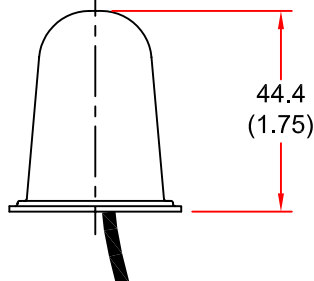
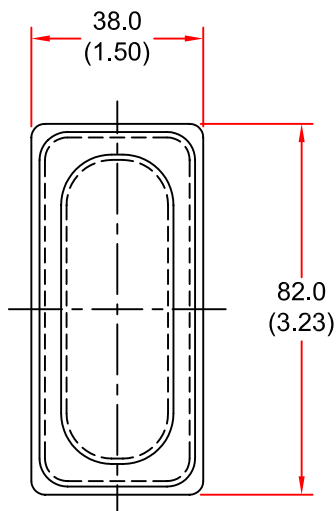


BLADE ANTENNA

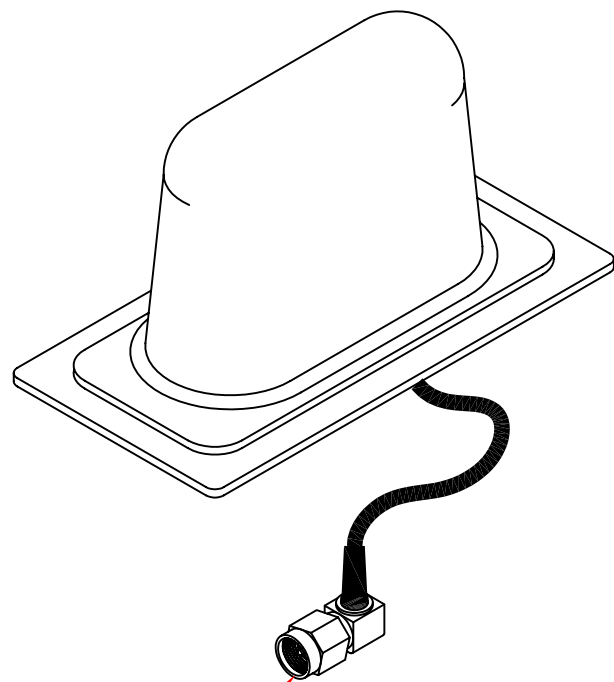
MODEL: HDA-1394-SMA90/785

FREQUENCY:	1.35-1.43 GHz	GAIN:	2 dBi
POLARISATION:	Linear (Mixed)	BEAMWIDTH:	360° (Azimuth) x 80° (Elevation)
CROSS POLAR:	N/A	VSWR:	2:1 Max
POWER RATING:	N/A	FRONT TO BACK:	N/A
TEMPERATURE:	-20°C to +50°C	MASS:	30 g/1 oz
FINISH:	Grey Polymer Radome	WIND LOADING:	N/A

PLAN VIEW



END VIEW



ISOMETRIC VIEW

SMA (M) 90° CONNECTOR
COMPLETE WITH 140mm (5.50) CABLE

DIMENSIONS: mm (inches)

GA 785-1 Issued 240101

EUROPEAN ANTENNAS LTD.

LAMBDA HOUSE, CHEVELEY,
NEWMARKET, SUFFOLK, CB8 9RG,
UNITED KINGDOM.

TEL: +44 (0)1638 731888

FAX: +44 (0)1638 731999

E-Mail: sales@european-antennas.co.uk

Website: www.european-antennas.co.uk

European Antennas Ltd. has a policy of continuous development and therefore stress that the data contained on this sheet should be used for guidance only.