



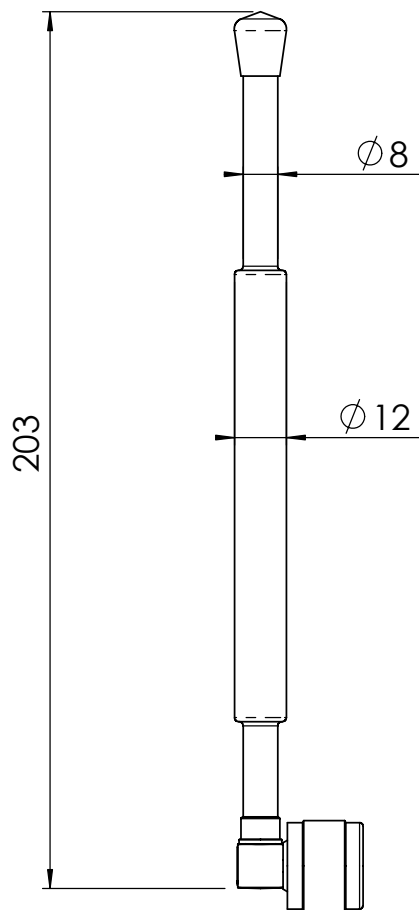
EUROPEAN ANTENNAS

Excellence through design
Creative in concept

SLIM DIPOLE ANTENNA

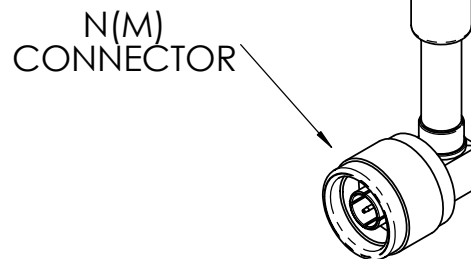
MODEL: SVD2-915-NM90/791

| | | | |
|----------------------|-------------------|-----------------------|----------------------|
| FREQUENCY: | 870 - 960 MHz | GAIN: | 2 dBi |
| POLARISATION: | Linear (Vertical) | BEAMWIDTH: | 360° (Az) x 80° (El) |
| CROSS POLAR: | 15 - 20 dB | VSWR: | 2.0:1 |
| POWER RATING: | 10 W | FRONT TO BACK: | N/A |
| TEMPERATURE: | -20°C to +50°C | MASS: | 75g / 3 oz |
| FINISH: | Matt Black | WIND LOADING: | N/A |



SIDE VIEW

ISOMETRIC VIEW



DIMENSIONS: mm (inches)

GA: 791-1 Issued: 011200

EUROPEAN ANTENNAS LTD.

Tel: +44 (0)1638 731888
Fax: +44 (0)1638 731999

LAMBDA HOUSE, CHEVELEY
NEWMARKET, SUFFOLK, CB8 9RG,
UNITED KINGDOM

E-Mail: sales@european-antennas.co.uk
Website: www.european-antennas.co.uk