



EUROPEAN ANTENNAS

Excellence through design
Creative in concept

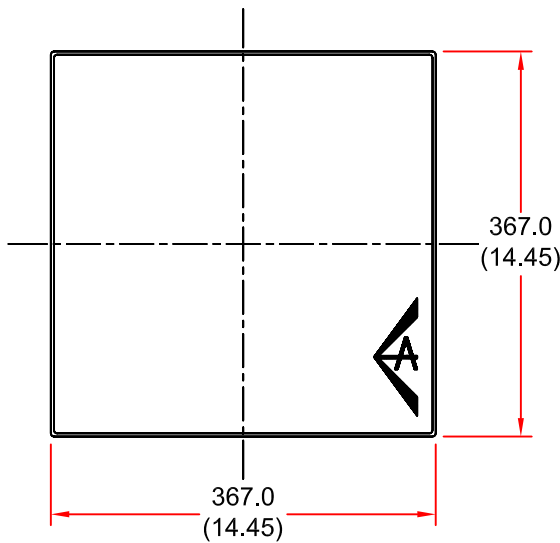


FLAT PANEL ANTENNA

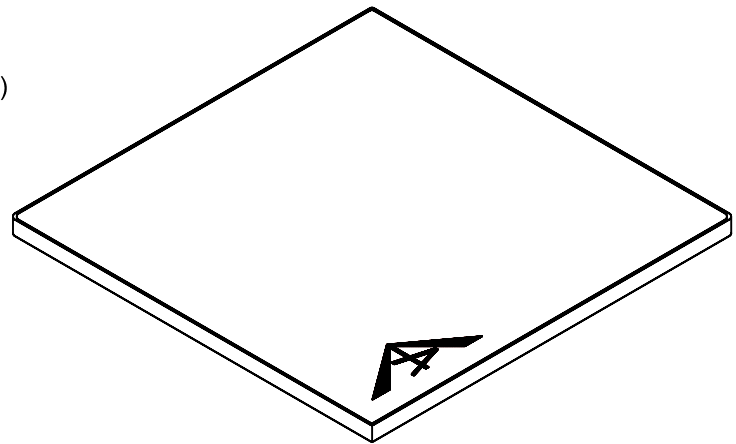
MODEL: FPA19-24R-D2/758

FREQUENCY:	2.30 - 2.60 GHz	GAIN:	19 dBiC
POLARISATION:	Circular (R.H.C)	BEAMWIDTH:	18° (Azimuth) x 18° (Elevation)
AXIAL RATIO:	3 dB Typical	VSWR:	1.5:1 Max
POWER RATING:	20 W	FRONT TO BACK:	30 dB
TEMPERATURE:	-20°C to +50°C	MASS:	2 Kg / 4.4 lbs
FINISH:	Matt Black	WIND LOADING:	21.9 Kg / 48.1 lbs @ 100 mph

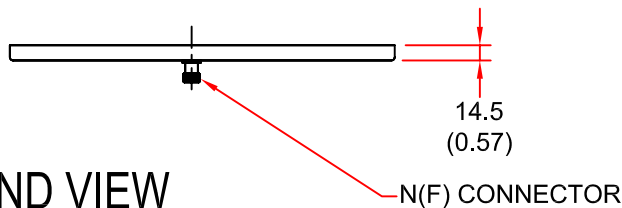
FRONT VIEW



ISOMETRIC VIEW



END VIEW



DIMENSIONS: mm (inches)

GA 758-1 Issued 050900

EUROPEAN ANTENNAS LTD.

LAMBDA HOUSE, CHEVELEY,
NEWMARKET, SUFFOLK, CB8 9RG,
UNITED KINGDOM.

TEL: +44 (0)1638 731888

FAX: +44 (0)1638 731999

E-Mail: sales@european-antennas.co.uk

Website: www.european-antennas.co.uk