



# EUROPEAN ANTENNAS

Excellence through design  
Creative in concept

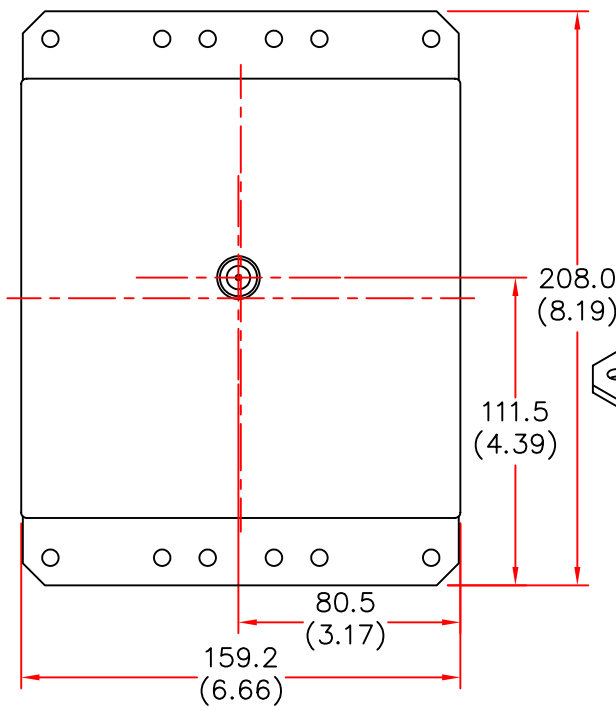


## FLAT PANEL ANTENNA

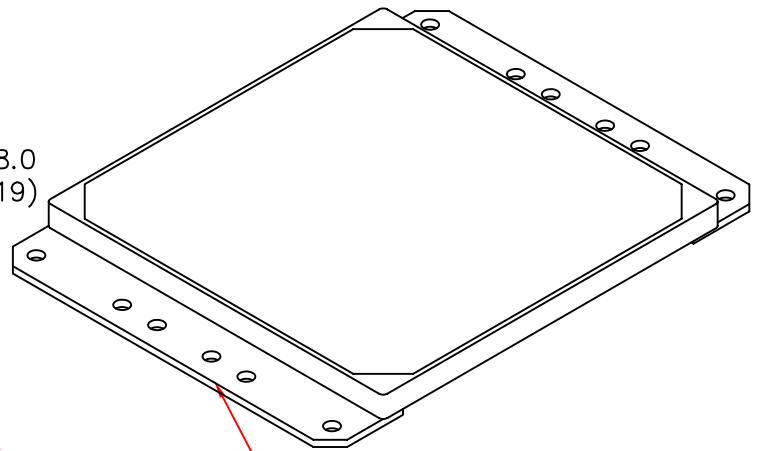
MODEL: FPA13-36V/603

FREQUENCY:	3.4-3.6 GHz	GAIN:	13 dBi
POLARISATION:	Linear (Vertical)	BEAMWIDTH:	35° x 35°
CROSS POLAR:	20dB Typical	VSWR:	1.5:1
POWER RATING:	10W	FRONT TO BACK:	30dB Minimum
TEMPERATURE:	-20°C to +50°C	MASS:	450g/1lb (Excluding Brackets)
FINISH:	Glass Fibre Gloss White	WIND LOADING:	4.64Kg/10.22lbs @ 100 mph

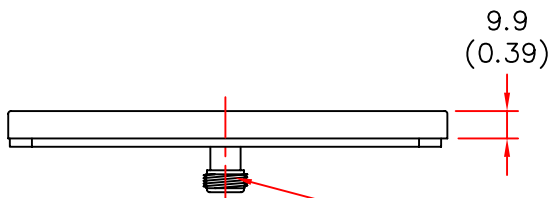
REAR VIEW



ISOMETRIC VIEW



MOUNTING BRACKETS INCLUDED



SIDE VIEW

N(F) CONNECTOR ON REAR

DIMENSIONS: mm (inches)

GA 603-1 Issued 050100

EUROPEAN ANTENNAS LTD.

TEL: +44 (0)1638 731888  
FAX: +44 (0)1638 731999

LAMBDA HOUSE, CHEVELEY,  
NEWMARKET, SUFFOLK, CB8 9RG,  
UNITED KINGDOM.

E-Mail: sales@european-antennas.co.uk  
Website: www.european-antennas.co.uk