



EUROPEAN ANTENNAS

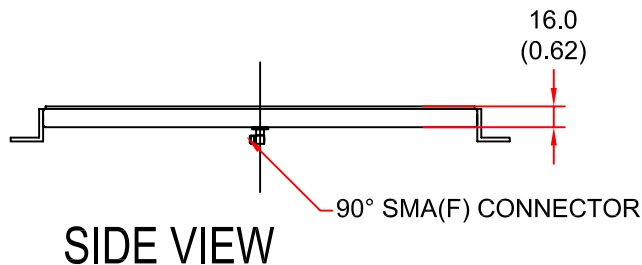
Excellence through design
Creative in concept



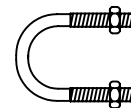
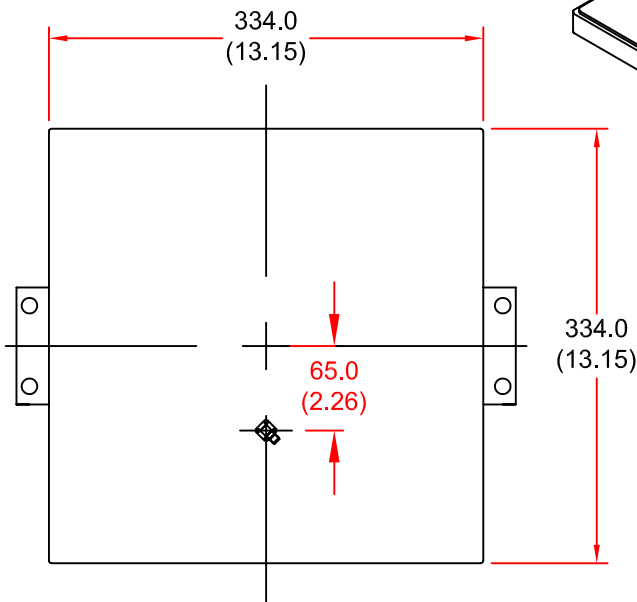
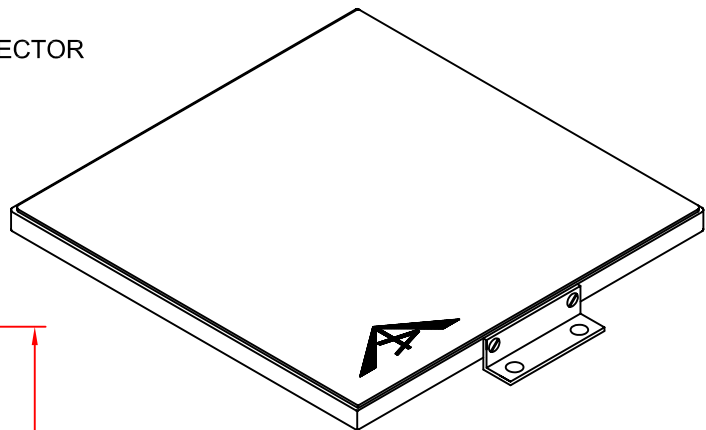
FLAT PANEL ANTENNA

MODEL: FPA13-19V-D1/670

FREQUENCY:	1.85-2.00 GHz	GAIN:	13 dBi
POLARISATION:	Linear (Vertical)	BEAMWIDTH:	40° x 40°
CROSS POLAR:	20dB Typical	VSWR:	1.5:1
POWER RATING:	20W	FRONT TO BACK:	20dB
TEMPERATURE:	-20°C to +50°C	MASS:	1.5Kg/3.3lbs
FINISH:	Gloss White & Alocrom 1200	WIND LOADING:	18.09Kg/39.8lbs @ 100mph



ISOMETRIC VIEW



DIMENSIONS: mm (inches)

GA 670 Issued 010300

EUROPEAN ANTENNAS LTD.

TEL: +44 (0)1638 731888
FAX: +44 (0)1638 731999

LAMBDA HOUSE, CHEVELEY,
NEWMARKET, SUFFOLK, CB8 9RG,
UNITED KINGDOM.

E-Mail: sales@european-antennas.co.uk
Website: www.european-antennas.co.uk