



# EUROPEAN ANTENNAS

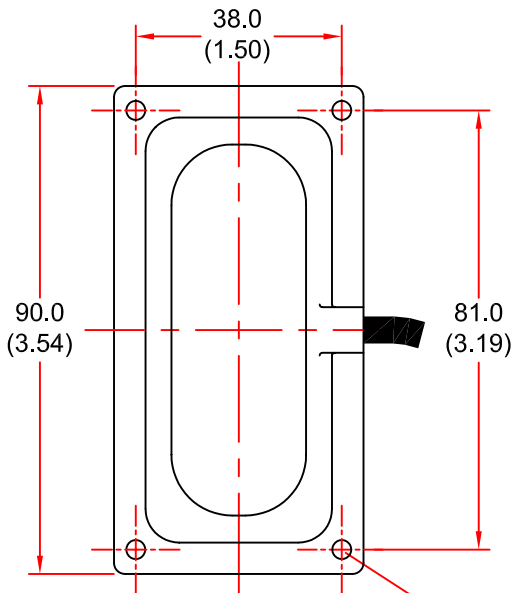
Excellence through design  
Creative in concept



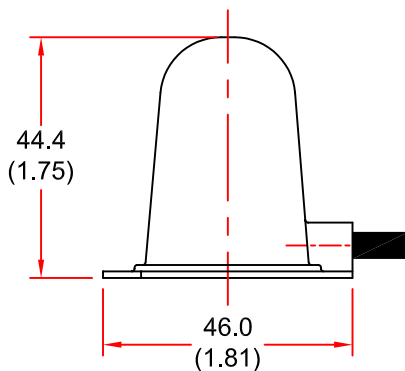
## BLADE ANTENNA

MODEL: HDA-1800-502-D2/655

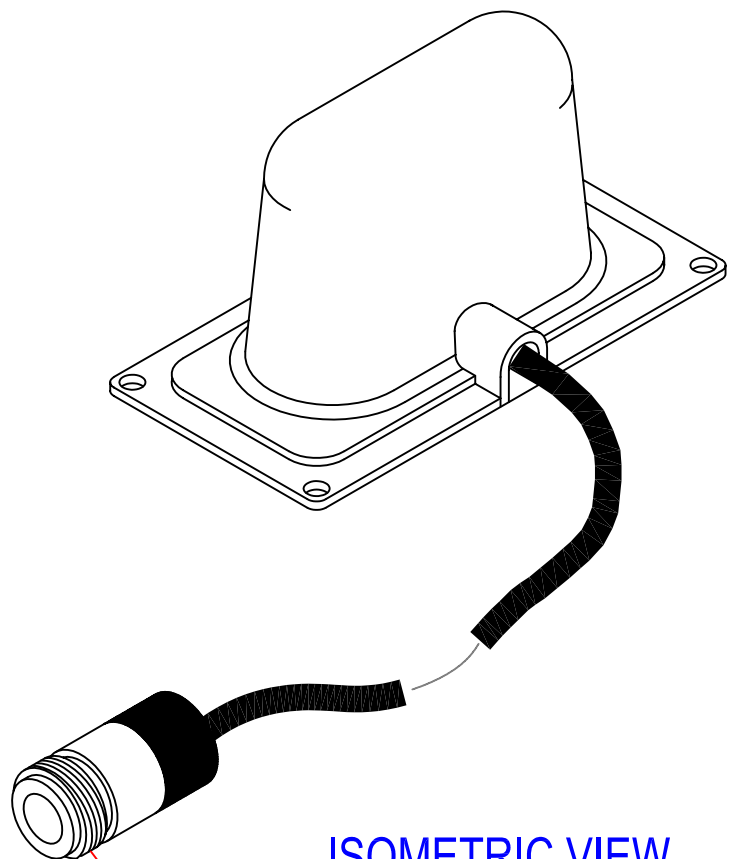
FREQUENCY:	1.71 - 1.88 GHz	GAIN:	3 dBi
POLARISATION:	Linear (Mixed)	BEAMWIDTH:	140° (Elevation) x 70° (Azimuth)
CROSS POLAR:	N/A	VSWR:	2:1
POWER RATING:	5 W	FRONT TO BACK:	N/A
TEMPERATURE:	-20° to +50°C	MASS:	100 g / 4 oz
RADOME:	Gloss White ABS	WIND LOADING:	N/A



PLAN VIEW



END VIEW



ISOMETRIC VIEW

INTEGRAL 0.5M CABLE  
WITH N(F) CONNECTOR

DIMENSIONS: mm (inches)

GA 655-1 Issued 090600

EUROPEAN ANTENNAS LTD.

LAMBDA HOUSE, CHEVELEY,  
NEWMARKET, SUFFOLK, CB8 9RG,  
UNITED KINGDOM.

TEL: +44 (0)1638 731888

FAX: +44 (0)1638 731999

E-Mail: sales@european-antennas.co.uk

Website: www.european-antennas.co.uk

European Antennas Ltd. has a policy of continuous development and therefore stress that the data contained on this sheet should be used for guidance only.