



# EUROPEAN ANTENNAS

Excellence through design  
Creative in concept

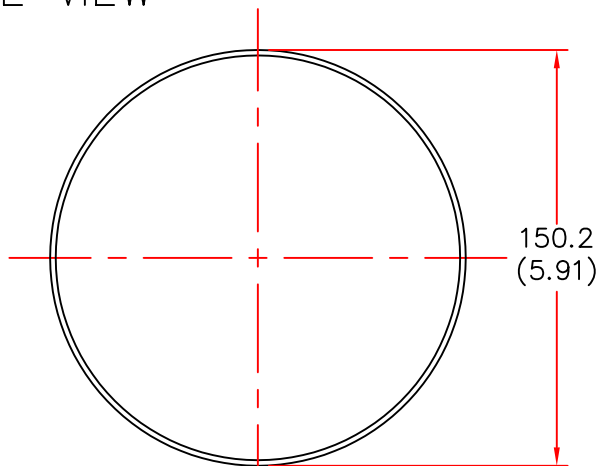


## SPIRAL ANTENNA

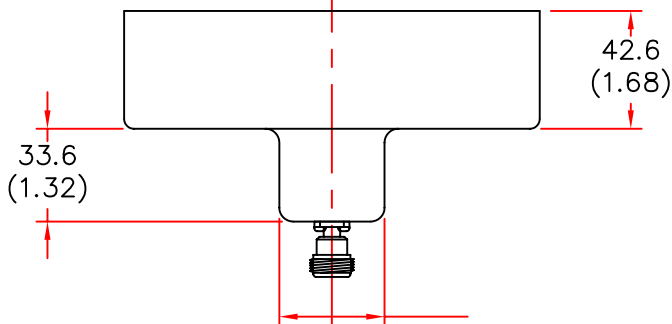
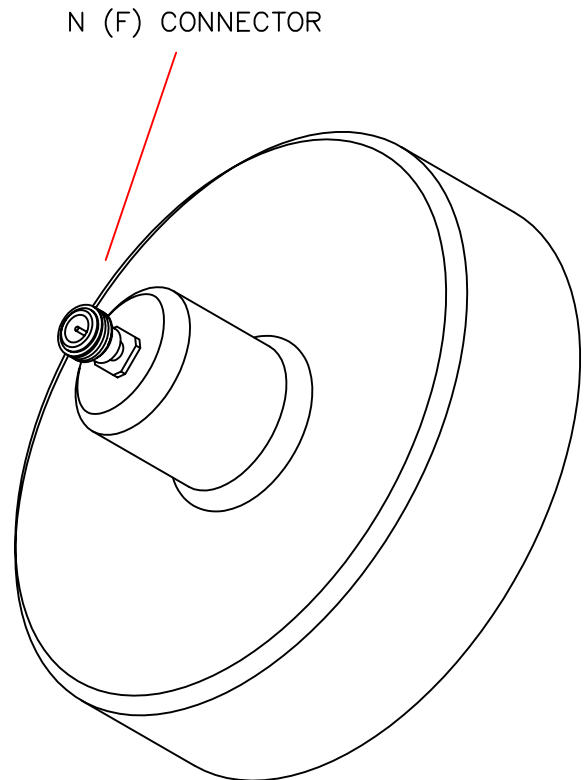
MODEL: PSA-10401R/643

FREQUENCY: 1.0-4.0 GHz	GAIN: 4-6 dBiC
POLARISATION: Circular (RHC)	BEAMWIDTH: 90° x 90°
AXIAL RATIO: 1 dB Typical	VSWR: 2:1
POWER RATING: 20 W	FRONT TO BACK: 20 dB
TEMPERATURE: -20°C to +50°C	MASS: 325g/0.7lbs
FINISH: Gloss White & Alocrom 1200	WIND LOADING: 1.4Kg/3.1lbs @ 100mph

SIDE VIEW



ISOMETRIC VIEW



REAR VIEW

DIMENSIONS: mm (inches)

GA 643 Issued 040200

EUROPEAN ANTENNAS LTD.

TEL: +44 (0)1638 731888  
FAX: +44 (0)1638 731999

LAMBDA HOUSE, CHEVELEY,  
NEWMARKET, SUFFOLK, CB8 9RG,  
UNITED KINGDOM.

E-Mail: sales@european-antennas.co.uk  
Website: www.european-antennas.co.uk

European Antennas Ltd. has a policy of continuous development and therefore stress that the data contained on this sheet should be used for guidance only.