



EUROPEAN ANTENNAS

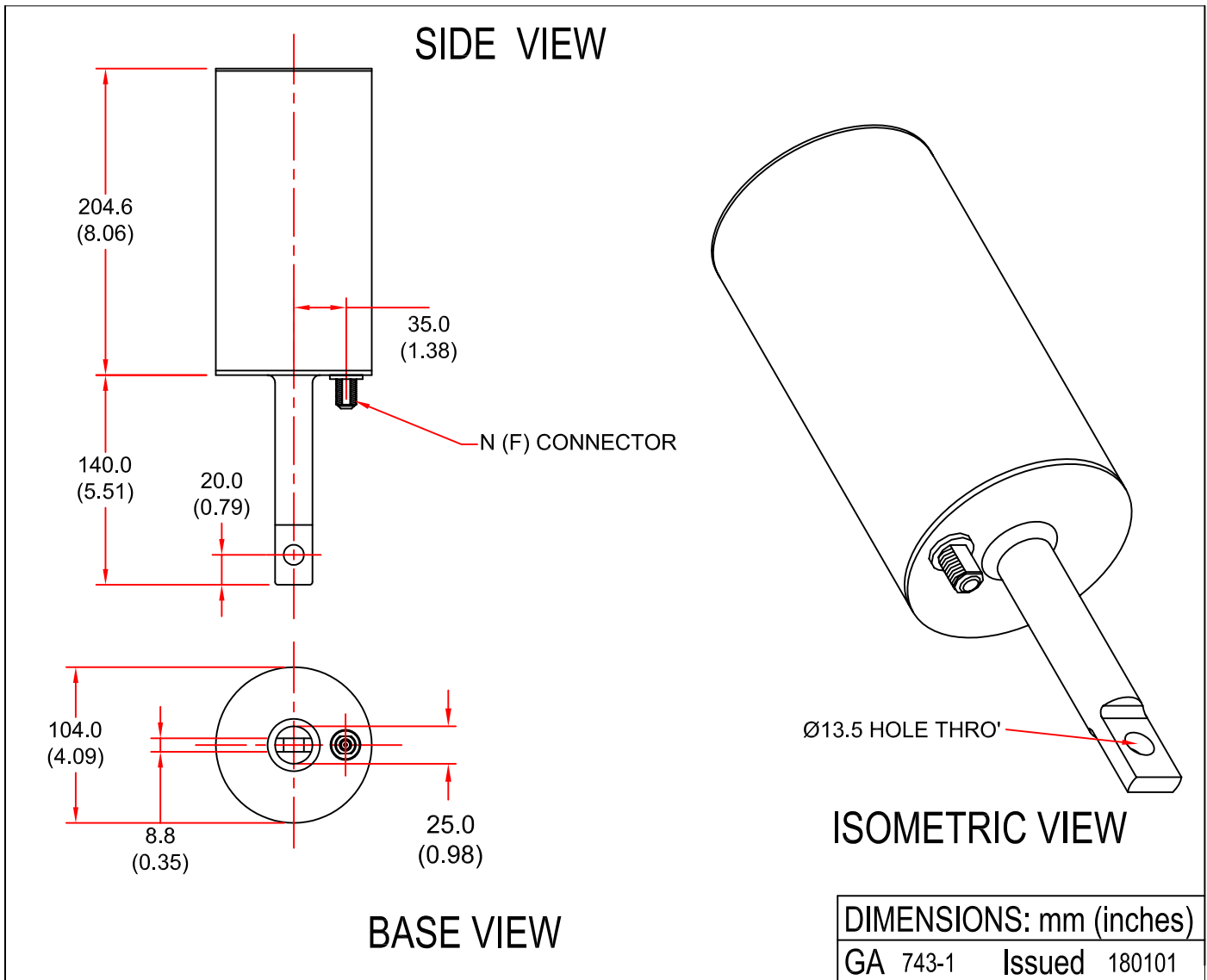
Excellence through design
Creative in concept



CIRCULARLY POLARISED OMNI ANTENNA

MODEL: RC05-2400/743

FREQUENCY:	2.3 - 2.5 GHz	GAIN:	5 dBiC
POLARISATION:	Right Hand Circular	BEAMWIDTH:	360° (Az) x 40° (EI)
AXIAL RATIO:	3 dB Typical	VSWR:	1.5 : 1
POWER RATING:	10 W	FRONT TO BACK:	N/A
TEMPERATURE:	-20°C to +50°C	MASS:	1.5 Kg/3.3 lbs
FINISH:	Painted Matt Black	WIND LOADING:	4.0 Kg/8.8 lbs @ 100 mph



EUROPEAN ANTENNAS LTD.

TEL: +44 (0)1638 731888
FAX: +44 (0)1638 731999

LAMBDA HOUSE, CHEVELEY,
NEWMARKET, SUFFOLK, CB8 9RG,
UNITED KINGDOM.

E-Mail: sales@european-antennas.co.uk
Website: www.european-antennas.co.uk

European Antennas Ltd. has a policy of continuous development and therefore stress that the data contained on this sheet should be used for guidance only.