



# EUROPEAN ANTENNAS

Excellence through design  
Creative in concept

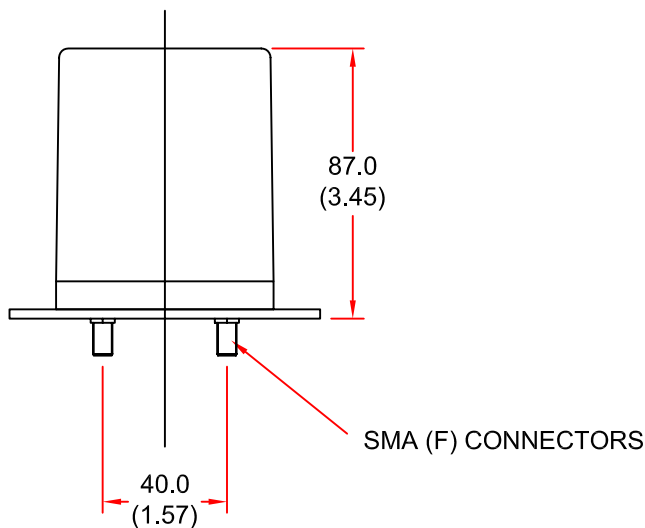


## DUAL DIPOLE ANTENNA

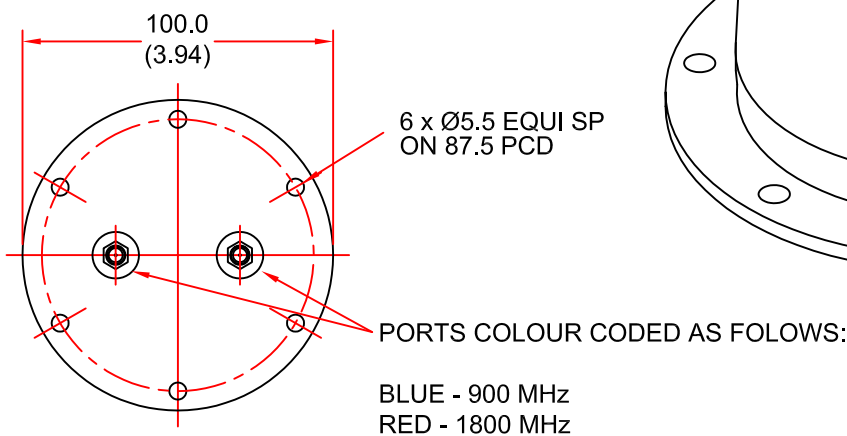
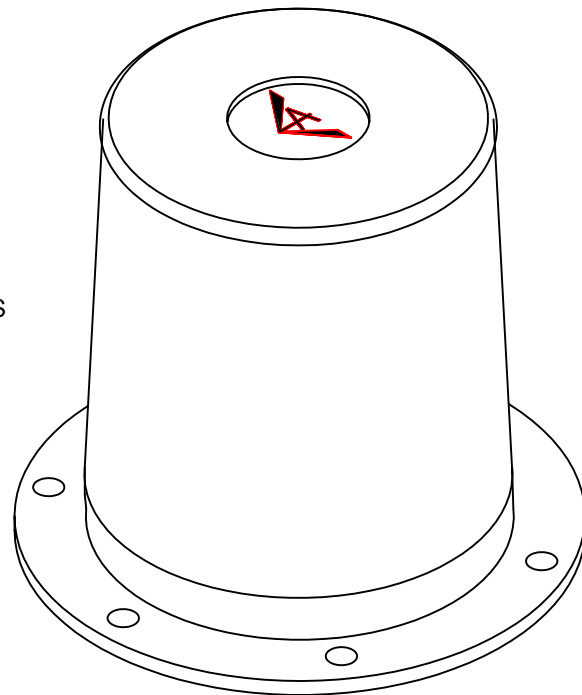
MODEL: DEVD2-900V-1800V-502/605

FREQUENCY:	880-960 & 1710-1880 MHz	GAIN:	0dBi low band, 2dBi high band
POLARISATION:	Linear (Vertical)	BEAMWIDTH:	360° x 75°
CROSS POLAR:	5dB, 12dB Typical	VSWR:	2.5:1 band edges, 2.0:1 band centre
POWER RATING:	2 x 10W	FRONT TO BACK:	N/A
TEMPERATURE:	-20°C to +50°C	MASS:	150g/0.33lbs
RADOME:	Beige polypropylene	WIND LOADING:	1.07Kg/2.36lbs @ 100 mph

### SIDE VIEW



### ISOMETRIC VIEW



### BASE VIEW

DIMENSIONS: mm (inches)

GA 605-2 Issued 240702

EUROPEAN ANTENNAS LTD.

TEL: +44 (0)1638 731888  
FAX: +44 (0)1638 731999

LAMBDA HOUSE, CHEVELEY,  
NEWMARKET, SUFFOLK, CB8 9RG,  
UNITED KINGDOM.

E-Mail: [sales@european-antennas.co.uk](mailto:sales@european-antennas.co.uk)  
Website: [www.european-antennas.co.uk](http://www.european-antennas.co.uk)

European Antennas Ltd. has a policy of continuous development and therefore stress that the data contained on this sheet should be used for guidance only.