



# EUROPEAN ANTENNAS

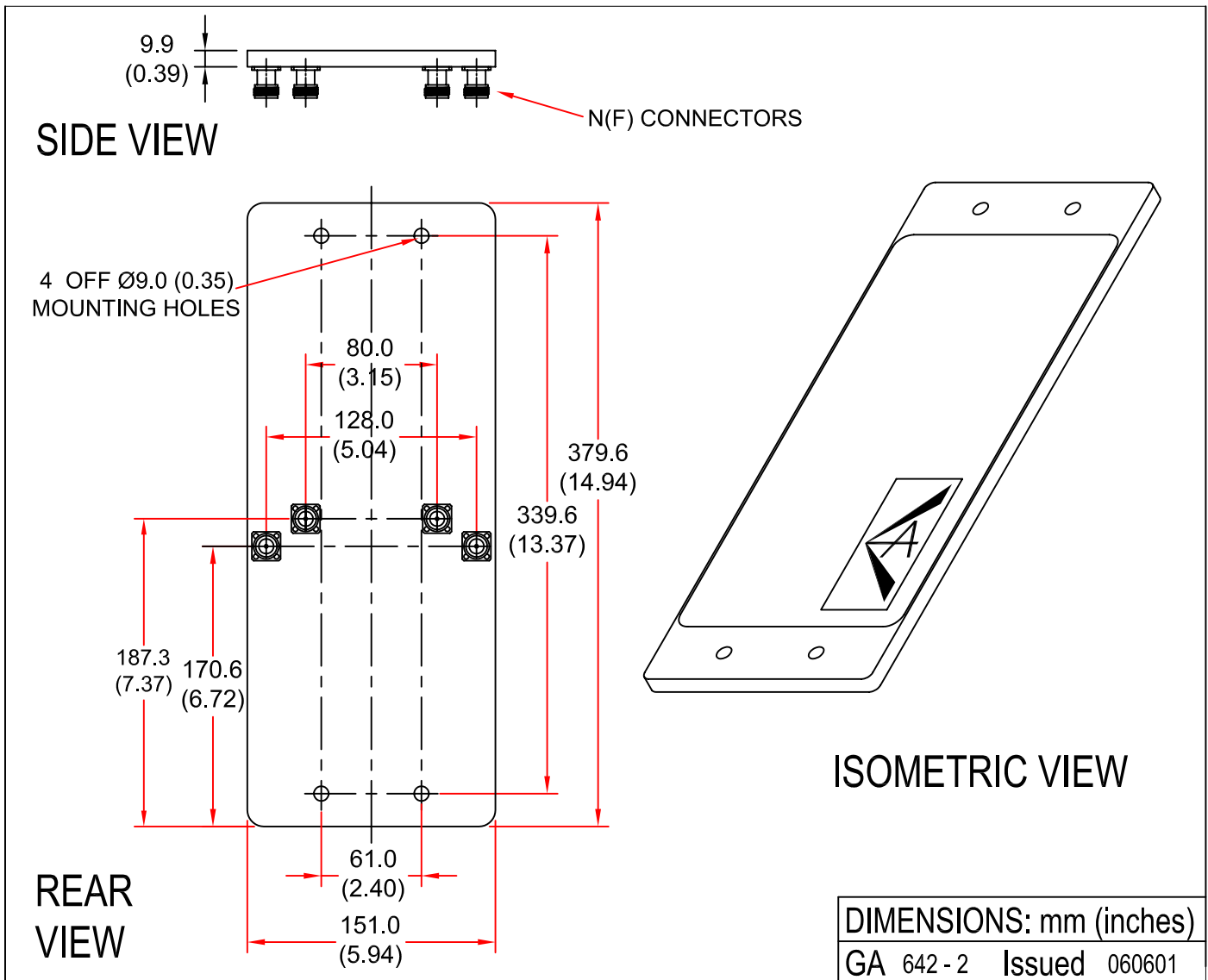
Excellence through design  
Creative in concept



## DUAL SECTOR ANTENNA

MODEL: DSA16-55VH/642

FREQUENCY:	5.2 - 5.8 GHz	GAIN:	14 - 15 dBi Nominal
POLARISATION:	Dual Linear (Vertical & Horizontal)	BEAMWIDTH:	55° H, 65° V (Azimuth) x 10° (Elevation)
CROSS POLAR:	18 dB Typical	NULL FILL:	1st Below Horizon 20dB Typical
POWER RATING:	20 W	VSWR:	1.5:1
TEMPERATURE:	-20° to +50°C	FRONT TO BACK:	25 dB min
ELECTRICAL DOWNTILT:	2°	MASS:	1.64 Kg/3.60 lbs
RADOME:	Glass Fibre / Gloss White	WIND LOADING:	9.29 Kg / 20.45 lbs @ 100 mph



EUROPEAN ANTENNAS LTD.

TEL: +44 (0)1638 731888  
FAX: +44 (0)1638 731999

LAMBDA HOUSE, CHEVELEY,  
NEWMARKET, SUFFOLK, CB8 9RG,  
UNITED KINGDOM.

E-Mail: sales@european-antennas.co.uk  
Website: www.european-antennas.co.uk