

SA17-55V/450

COBHAM

Sector Antenna

The most important thing we build is trust

Designed for WLAN Applications

High Gain

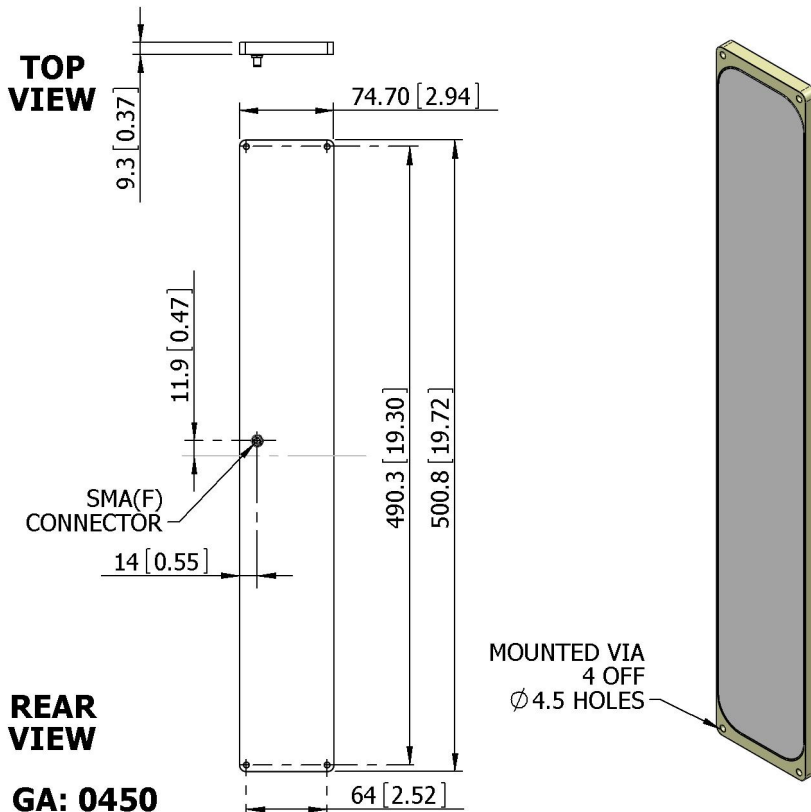
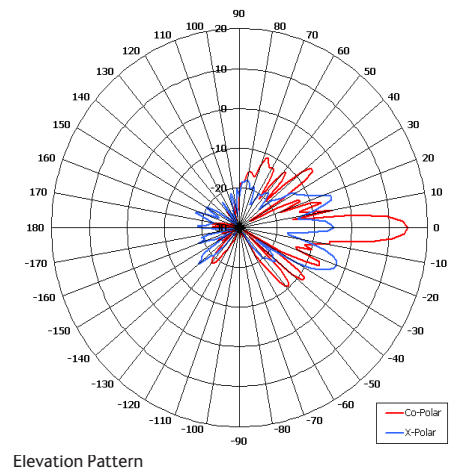
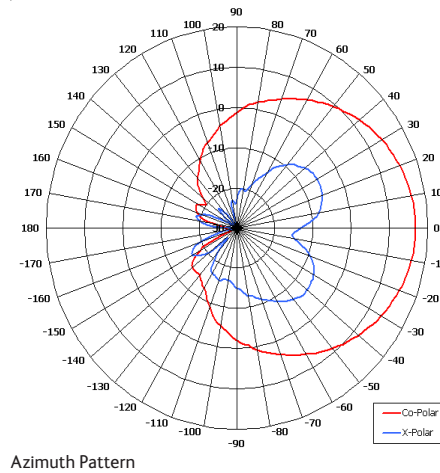
Vertical Polarisation

Low Profile

Suitable for Outdoor Applications

Conforms to ETSI EN 302 085 V1.1.2

Class CS 1 Symmetrical Elevation Pattern



ELECTRICAL

Frequency	5.125 - 5.925 GHz
Gain	17.0 dBi Nom
Polarisation	Linear (Vertical)
Beamwidth	60° (Az) x 7° (El) Approx
Cross Polar	24 dB Min
VSWR	2:1
Power Rating	10 W
Front to Back	30 dB
Index of Environmental Protection	IP67

MECHANICAL

Standard Finish	Gloss White
Mass	0.64 Kg (1.4 lbs)
Temperature	-45° to +65°C
Wind Loading	6.07 Kg (13.4 lbs) @ 100mph

MOUNTING OPTIONS

Kits Available	N/A
See separate data sheets	

ADDITIONAL NOTES

Issued 040112

European Antennas Limited trading as Cobham Antenna Systems, Microwave Antennas

European Antennas Limited has a policy of continuous development and stress that the information provided is a guide only and does not constitute an offer or contract or part thereof. Whilst every effort is made to ensure the accuracy of the information contained in this brochure, no responsibility can be accepted for any errors or omissions.

The copyright of antenna designs and images is copyright protected and owned by European Antennas Limited.
©European Antennas Limited

For further information please contact:

Cobham Antenna Systems, Microwave Antennas
Lambda House, Cheveley,
Newmarket, Suffolk CB8 9RG, UK.
Tel +44 (0)1638 732 177
Fax +44 (0) 1638 731999
Email newmarket.sales@cobham.com