

SA6-180-36V/558

COBHAM

Sector Antenna

The most important thing we build is trust

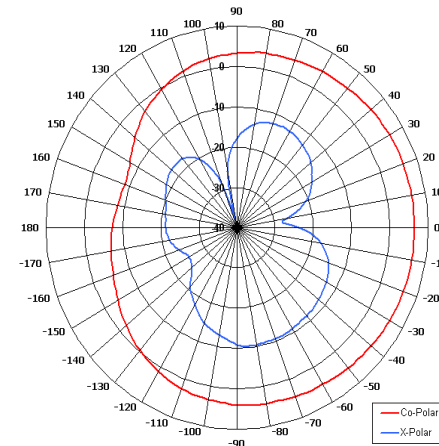
Designed for Commercial Applications

Wide Band

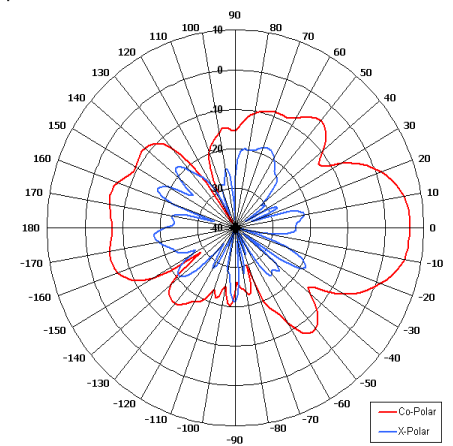
Pattern - Wide Beam

Vertical Polarisation

Low Profile



Azimuth Pattern



Elevation Pattern

ELECTRICAL

Frequency	3.00 - 4.30 GHz
Gain	6 dBi Nom
Polarisation	Linear (Vertical)
Beamwidth	180° (Az) x 35° (El) Approx
Cross Polar	15 dB Typ
VSWR	2.5:1 Max, 1.5:1 Typ
Power Rating	20 W
Front to Back	12 dB Typ

MECHANICAL

Standard Finish	Gloss White
Mass	180 g (0.40 lbs)
Temperature	-30° to +60°C
Wind Loading	1.9 Kg (4.17 lbs) @ 100mph

MOUNTING OPTIONS

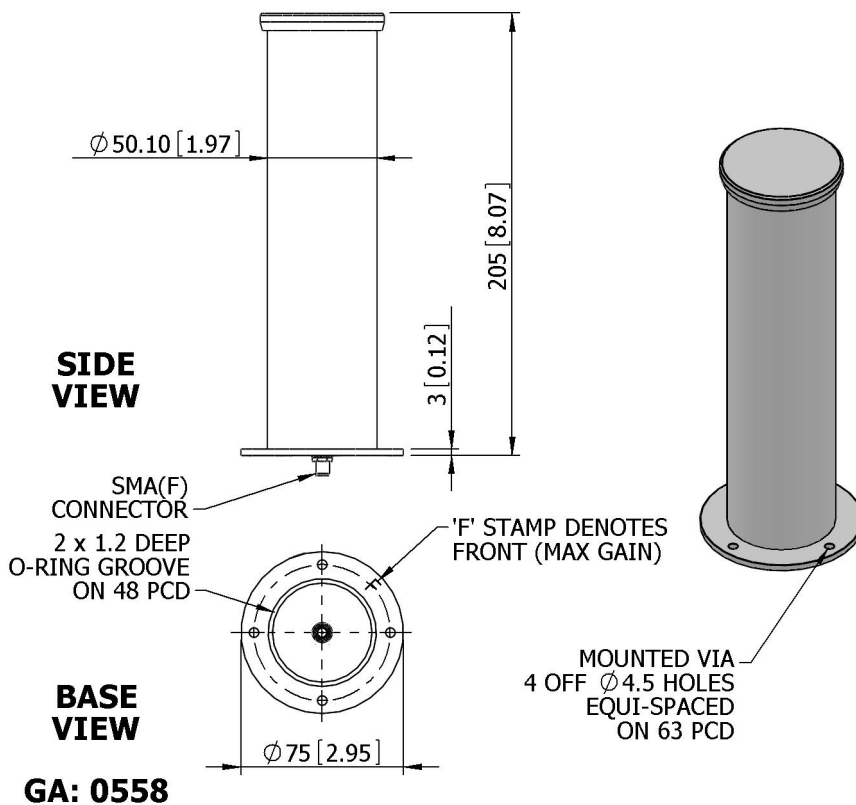
Kits Available	N/A
See separate data sheets	

ADDITIONAL NOTES

Issued 161210

For further information please contact:

Cobham Antenna Systems, Microwave Antennas
 Lambda House, Cheveley,
 Newmarket, Suffolk CB8 9RG, UK.
 Tel +44 (0)1638 732 177
 Fax +44 (0) 1638 731999
 Email antennasystems.ma@cobham.com



European Antennas Limited trading as Cobham Antenna Systems, Microwave Antennas

European Antennas Limited has a policy of continuous development and stress that the information provided is a guide only and does not constitute an offer or contract or part thereof. Whilst every effort is made to ensure the accuracy of the information contained in this brochure, no responsibility can be accepted for any errors or omissions.

The copyright of antenna designs and images is copyright protected and owned by European Antennas Limited.
 ©European Antennas Limited