

LPA7-18V-502/451

COBHAM

Directional Antenna

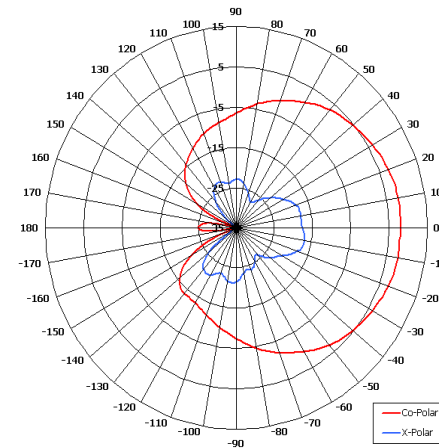
The most important thing we build is trust

Designed for Cellular DAS Applications

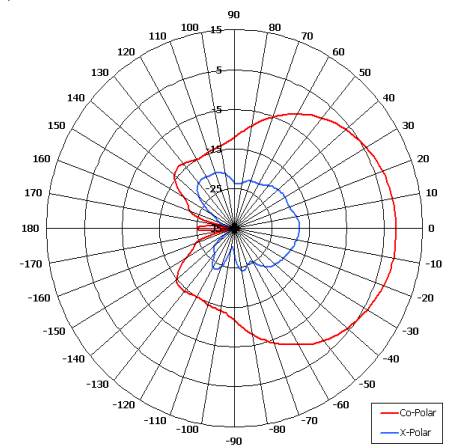
Suitable for Indoor Applications

Low Profile

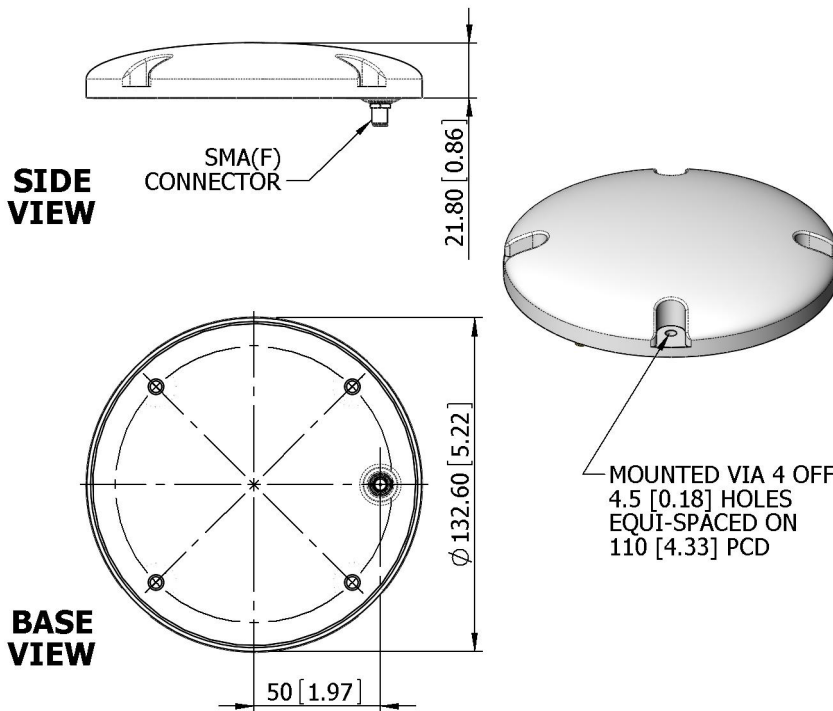
Connector Options



Azimuth Pattern



Elevation Pattern



GA: 0451

ELECTRICAL

Frequency	1.71 - 1.88 GHz
Gain	7 dBi Nom
Polarisation	Linear (Vertical)
Beamwidth	60° (Az) x 80° (El) Approx
Cross Polar	20 dB Typ
VSWR	2:1 Typ
Power Rating	10 W
Front to Back	20 dB

MECHANICAL

Standard Finish	Radome - Rigid Moulded Polymer
Mass	150 g (6 oz)
Temperature	-20° to +50°C
Wind Loading	2.2 Kg (4.9 lbs) @ 100mph

MOUNTING OPTIONS

Kits Available	N/A
See separate data sheets	

ADDITIONAL NOTES

Issued 060111

European Antennas Limited trading as Cobham Antenna Systems, Microwave Antennas

European Antennas Limited has a policy of continuous development and stress that the information provided is a guide only and does not constitute an offer or contract or part thereof. Whilst every effort is made to ensure the accuracy of the information contained in this brochure, no responsibility can be accepted for any errors or omissions.

The copyright of antenna designs and images is copyright protected and owned by European Antennas Limited.
©European Antennas Limited

For further information please contact:

Cobham Antenna Systems, Microwave Antennas

Lambda House, Cheveley,

Newmarket, Suffolk CB8 9RG, UK.

Tel +44 (0)1638 732 177

Fax +44 (0) 1638 731999

Email antennasystems.ma@cobham.com