

# SLIM DIPOLE ANTENNA SVD2-2340/460



## ELECTRICAL

FREQUENCY:	2332 - 2345 MHz
GAIN:	2 dBi
POLARISATION:	Linear (Vertical)
BEAMWIDTH:	360° (Az) x 80° (El)
CROSS POLAR:	15 - 20 dB
VSWR:	2:1
POWER RATING:	5 W
FRONT TO BACK:	N/A

## MECHANICAL

STANDARD FINISH:	Matt Black
MASS:	20 g / 0.7 ozs
TEMPERATURE:	-20° to +50°C
WIND LOADING:	N/A

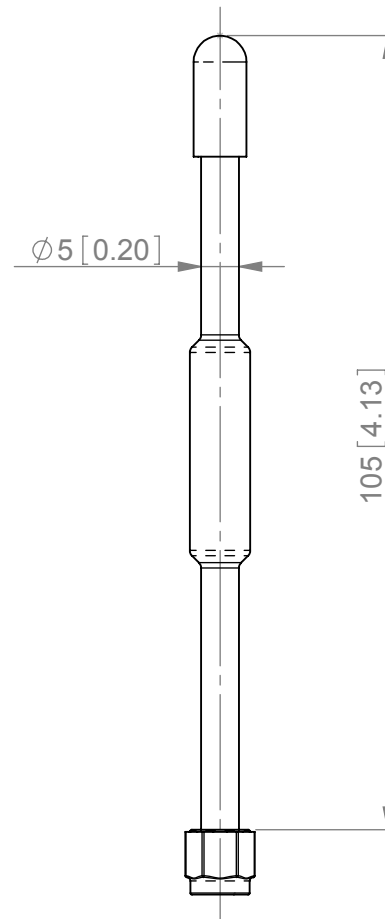
## MOUNTING OPTIONS

KITS AVAILABLE: N/A

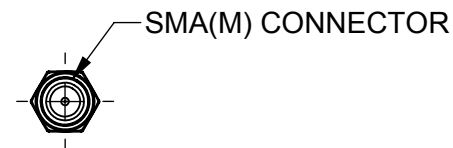
See Separate Data Sheets

GA: 460-2      Issued: 151008  
DIMENSIONS: mm [inches]

**SIDE  
VIEW**



**BASE  
VIEW**



**ISOMETRIC  
VIEW**



**SVD2-2340/460**

European Antennas Ltd. has a policy of continuous development and therefore stress that the data contained on this sheet should be used for guidance only.

European Antennas Ltd is part of Cobham Defence Electronic Systems



Certificate No 9268

European Antennas Ltd  
Lambda House, Cheveley  
Newmarket, Suffolk, CB8 9RG, UK  
Tel: +44 (0)1638 731888  
sales@european-antennas.co.uk  
[www.european-antennas.co.uk](http://www.european-antennas.co.uk)