

# LOW PROFILE ANTENNA LPA7-820L/420



## ELECTRICAL

FREQUENCY:	815 - 825 MHz
GAIN:	6 dBiC
POLARISATION:	Left Hand Circular
BEAMWIDTH:	78° (Az) x74° (El)
AXIAL RATIO:	3 dB
VSWR:	1.5:1
POWER RATING:	10 W
FRONT TO BACK:	N/A

## MECHANICAL

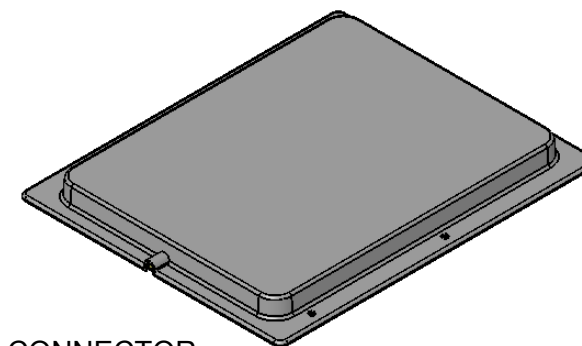
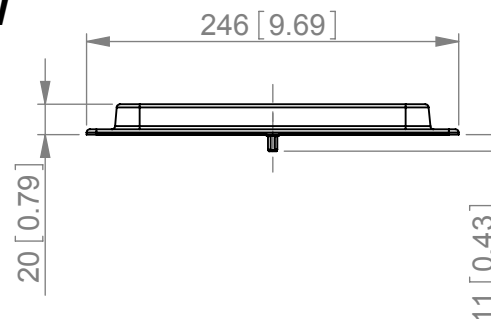
STANDARD FINISH:	ABS Polymer - White
MASS:	635 g / 1.4 lbs
TEMPERATURE:	-20° to +50°C
WIND LOADING:	11.2 kg / 26.3 lbs @ 100 mph

## MOUNTING OPTIONS

KITS AVAILABLE:	N/A
See Separate Data Sheets	

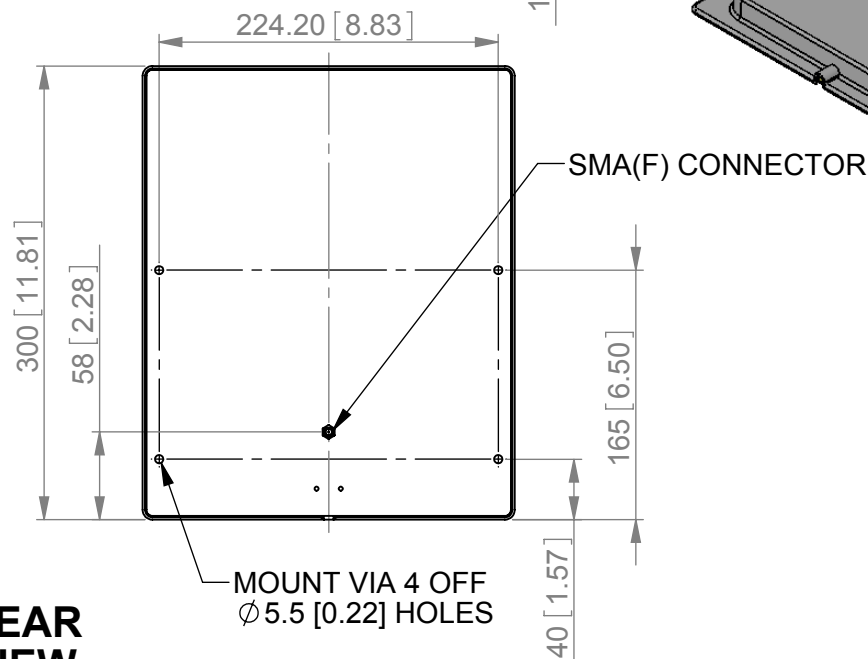
GA: 420-1      Issued: 270308  
DIMENSIONS: mm [inches]

## SIDE VIEW



## ISOMETRIC VIEW

## REAR VIEW



LPA7-820L/420

European Antennas Ltd. has a policy of continuous development and therefore stress that the data contained on this sheet should be used for guidance only.

European Antennas Ltd. is part of the Cobham Antennas Division



Certificate No 9268

European Antennas Ltd  
Lambda House, Cheveley  
Newmarket, Suffolk, CB8 9RG, UK  
Tel: +44 (0)1638 731888  
sales@european-antennas.co.uk  
[www.european-antennas.co.uk](http://www.european-antennas.co.uk)