



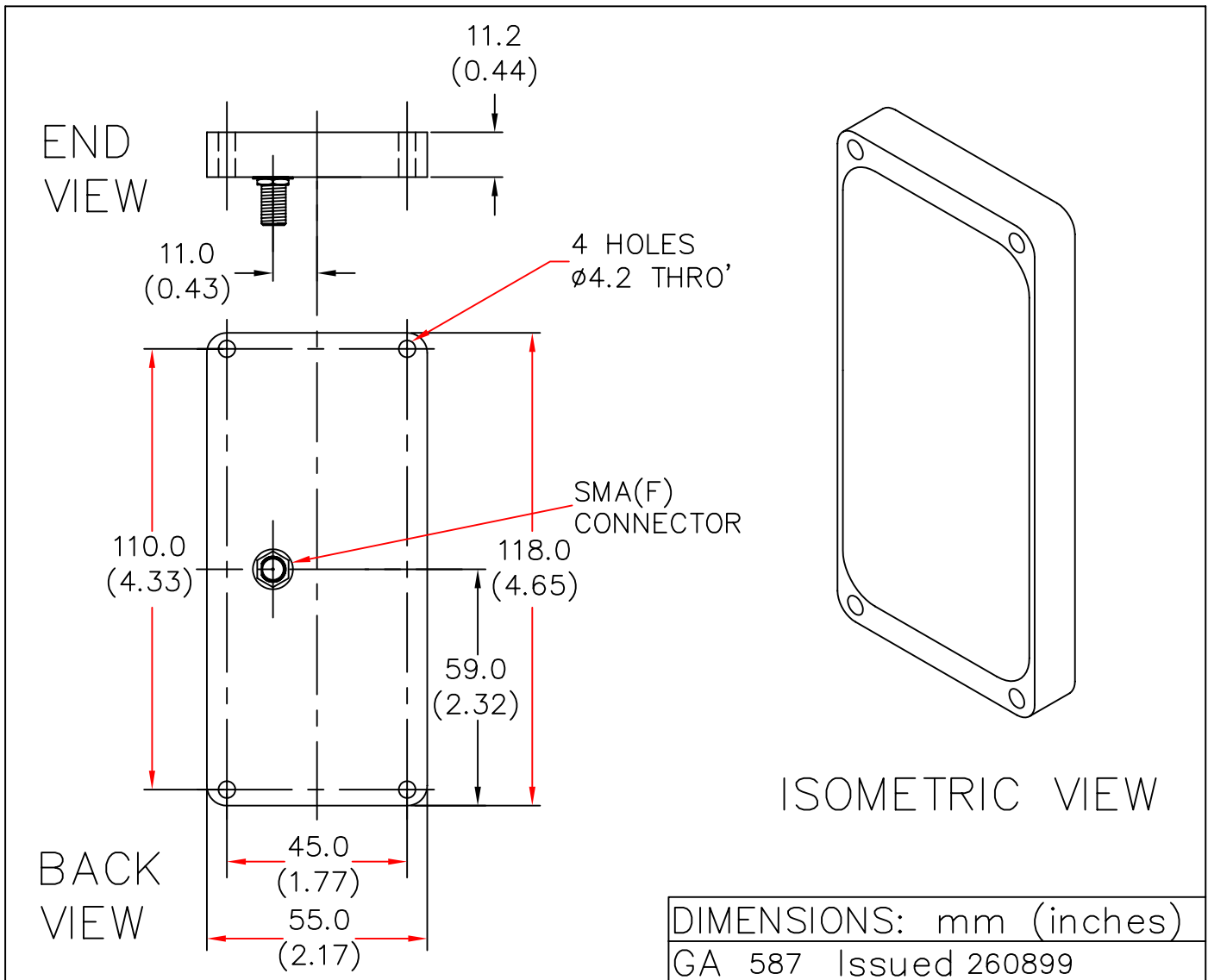
# EUROPEAN ANTENNAS



## SECTOR ANTENNA

MODEL: SA13-92H/587

FREQUENCY: 8.9 – 9.5 GHz	GAIN: 12.5 dBi Minimum
POLARISATION: Linear (Horizontal)	BEAMWIDTH: 50° x 20°
CROSS POLAR: 20dB	VSWR: 1.5:1
POWER RATING: 10W	FRONT TO BACK: 20dB
TEMPERATURE: -20°C to +50°C	MASS: 130g
RADOME: Glass Fibre/Gloss White	WIND LOADING: N/A



EUROPEAN ANTENNAS LTD.

TEL: +44 (0)1638 731888

LAMBDA HOUSE, CHEVELEY,  
NEWMARKET, SUFFOLK, CB8 9RG,  
UNITED KINGDOM.

FAX: +44 (0)1638 731999

European Antennas Ltd. has a policy of continuous development and therefore stress that the data contained on this sheet should be used for guidance only.