



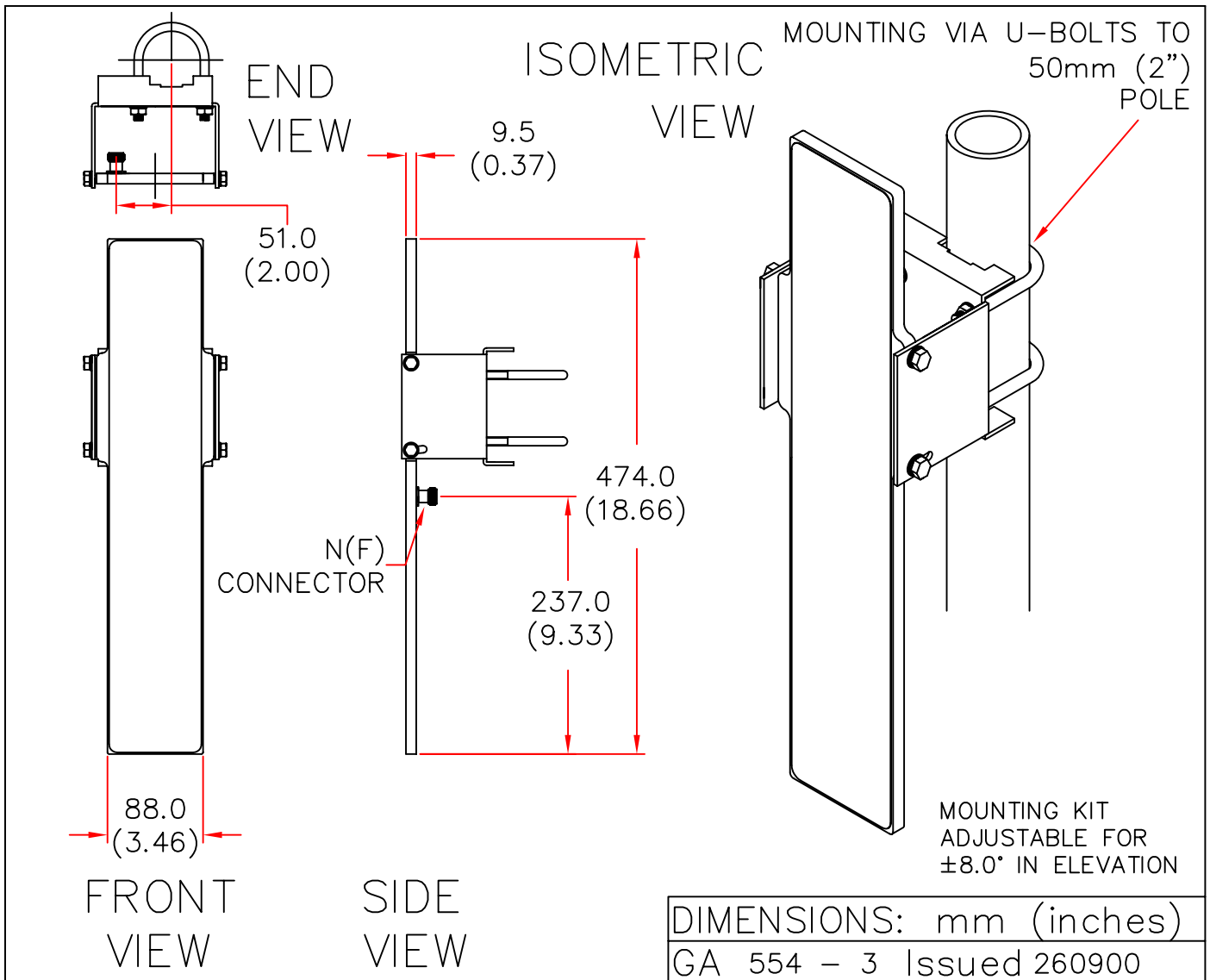
EUROPEAN ANTENNAS



SECTOR ANTENNA

MODEL: SA16-60-38V/554

FREQUENCY: 3.6 - 4.0 GHz	GAIN: 16 dBi
POLARISATION: Vertical	BEAMWIDTH: 65° x 10° (ETSI CS2)
CROSS POLAR: 20 dB	NULL FILL: 1st Below Horizon - 20dB
POWER RATING: 20 W	VSWR: 1.5:1
TEMPERATURE: -40°C to +60°C	FRONT TO BACK: 20 dB Minimum
RADOME: Gloss White/ Glass Fibre	MASS: 1.15 Kg/2.53 lbs (Including Brackets)
ELECTRICAL TILT: 2° Down	WIND LOADING: 7.0Kg/15.6lbs @ 100mph



EUROPEAN ANTENNAS LTD.

TEL: +44 (0)1638 731888

LAMBDA HOUSE, CHEVELEY,
NEWMARKET, SUFFOLK, CB8 9RG,
UNITED KINGDOM.

FAX: +44 (0)1638 731999

European Antennas Ltd. has a policy of continuous development and therefore stress that the data contained on this sheet should be used for guidance only.