



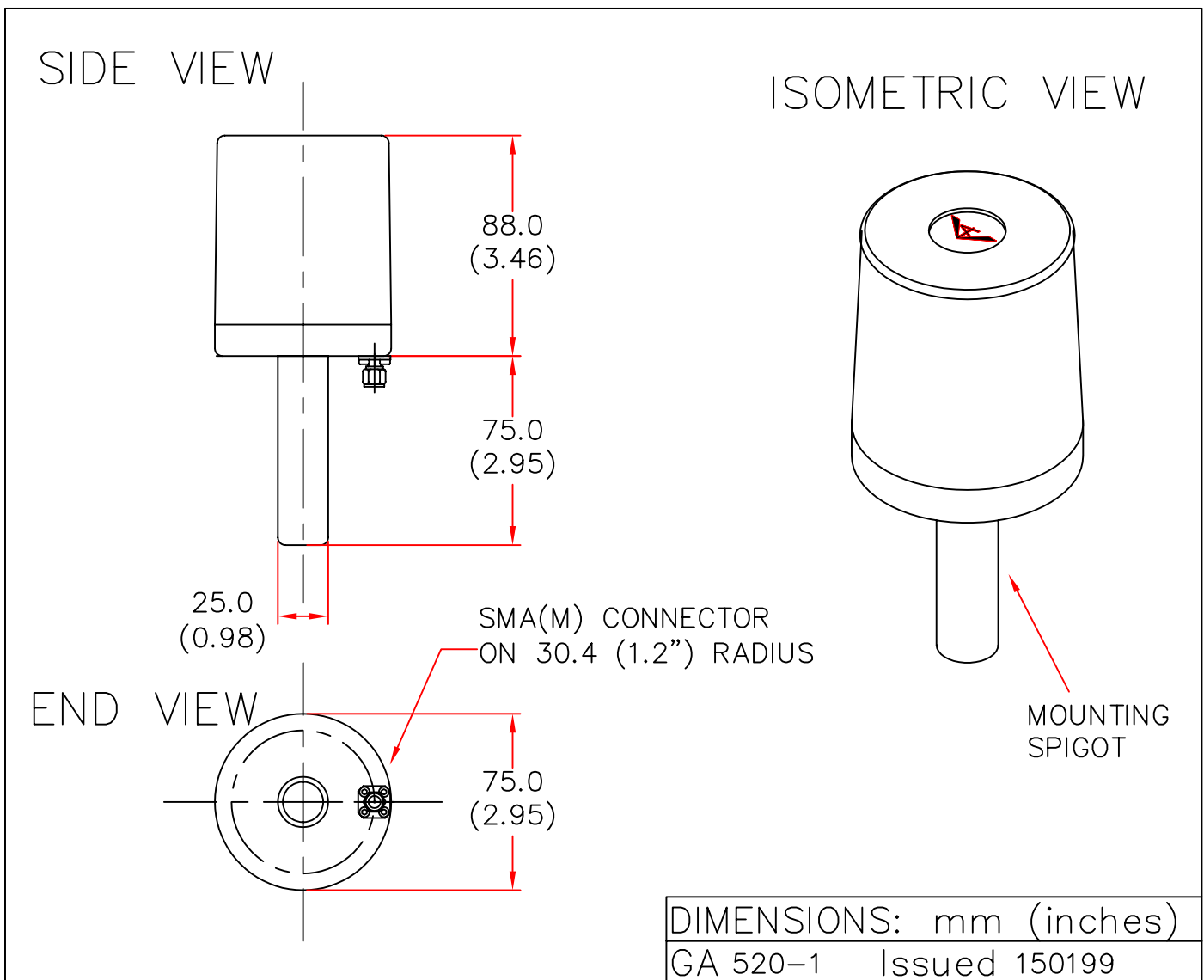
EUROPEAN ANTENNAS



RIGHT HAND CIRCULAR POLARISED OMNI ANTENNA

MODEL: RC03-2460-502-SMA(M)/520

FREQUENCY: 2.34 - 2.46 GHz	GAIN: 3 dBiC
POLARISATION: R.H. Circular	BEAMWIDTH: 360° x 70°
AXIAL RATIO: 3 dB Typ	VSWR: 1.5 : 1
POWER RATING: 10 W	FRONT TO BACK: N/A
TEMPERATURE: -20°C to +50°C	MASS: 300 g/10 oz
RADOME: Biege Polypropylene	WIND LOADING: 1.1Kg/2.35lbs @100mph



EUROPEAN ANTENNAS LTD.

TEL: +44 (0)1638 731888

LAMBDA HOUSE, CHEVELEY,
NEWMARKET, SUFFOLK, CB8 9RG,
UNITED KINGDOM.

FAX: +44 (0)1638 731999

European Antennas Ltd. has a policy of continuous development and therefore stress that the data contained on this sheet should be used for guidance only.