



# EUROPEAN ANTENNAS

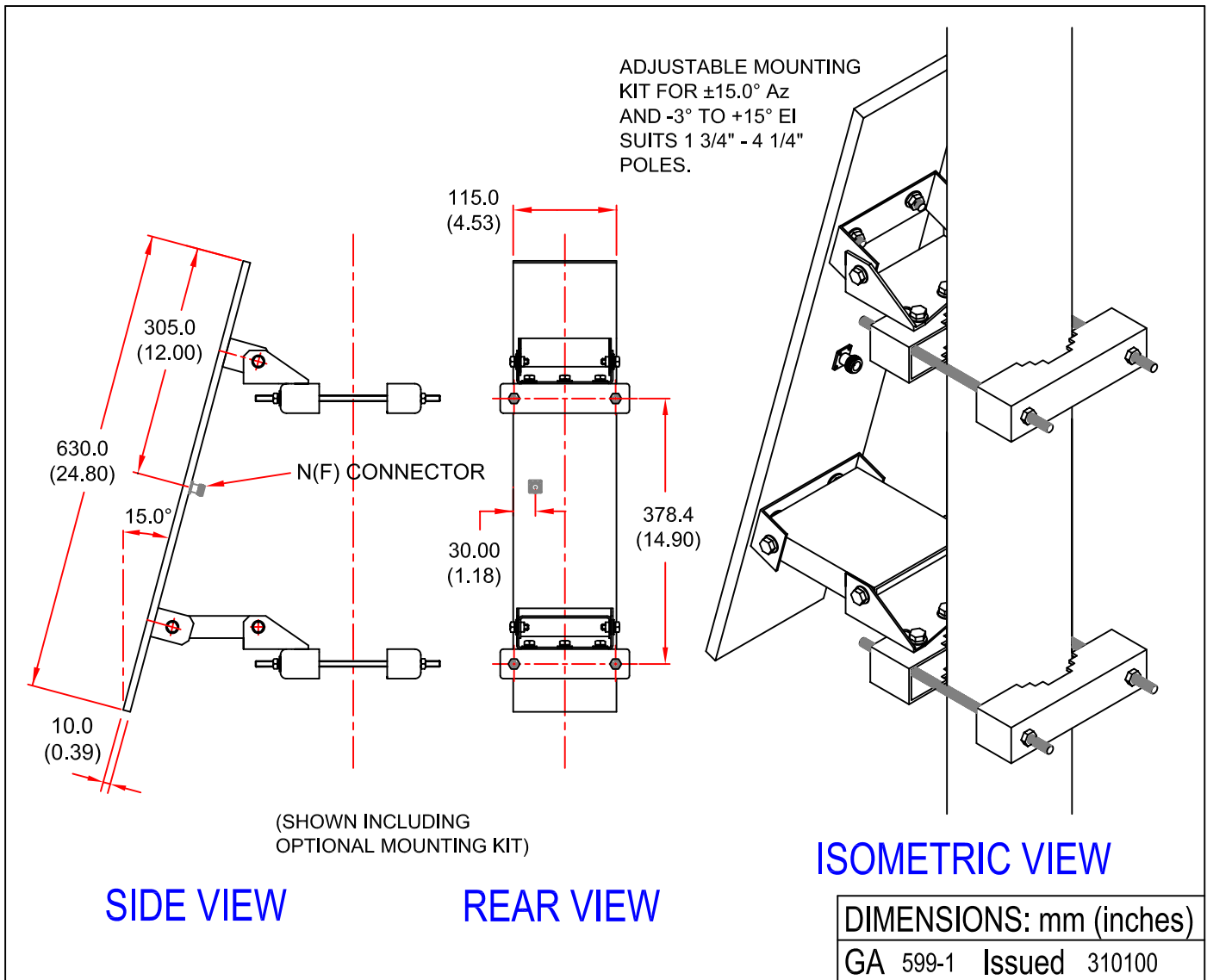
Excellence through design  
Creative in concept



## SECTOR ANTENNA

MODEL: SA16-26R/599

FREQUENCY:	2.5 - 2.7 GHz	GAIN:	16 dBic
POLARISATION:	R.H. Circular	BEAMWIDTH:	65° (Azimuth) x 12° (Elevation)
AXIAL RATIO:	3 dB	VSWR:	1.5:1
POWER RATING:	20 W	FRONT TO BACK:	25 dB
TEMPERATURE:	-20 to +50°C	MASS:	900 g/1.9 lbs
RADOME:	Glass Fibre/White Marine Finish	WIND LOADING:	11.75 Kg/25.85 lbs @ 100 mph



EUROPEAN ANTENNAS LTD.

TEL: +44 (0)1638 731888  
FAX: +44 (0)1638 731999

LAMBDA HOUSE, CHEVELEY,  
NEWMARKET, SUFFOLK, CB8 9RG,  
UNITED KINGDOM.

E-Mail: [sales@european-antennas.co.uk](mailto:sales@european-antennas.co.uk)  
Website: [www.european-antennas.co.uk](http://www.european-antennas.co.uk)

European Antennas Ltd. has a policy of continuous development and therefore stress that the data contained on this sheet should be used for guidance only.