



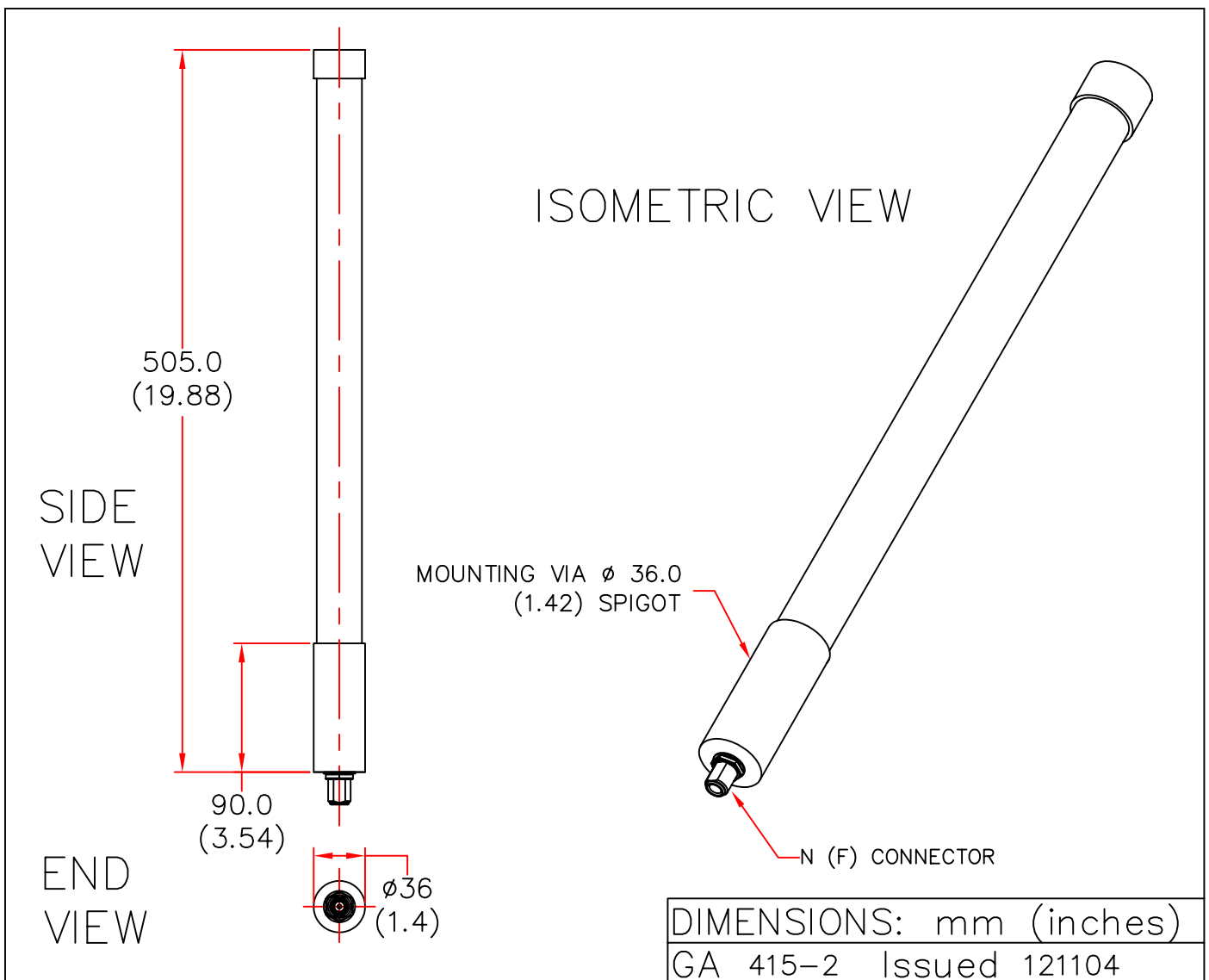
EUROPEAN ANTENNAS



VERTICALLY POLARISED OMNI ANTENNA

MODEL: VOA7-2600/415

FREQUENCY: 2.5 - 2.70GHz	GAIN: 7 dBi
POLARISATION: Linear (Vertical)	BEAMWIDTH: 360° x 20°
CROSS POLAR: 20 dB	VSWR: 1.5:1
POWER RATING: 50W	FRONT TO BACK: N/A
TEMPERATURE: -40°C to +60°C	MASS: 1.0Kg/2.2lbs
RADOME: Glass fibre (Gloss white)	WIND LOADING: 5.97lbs/2.7Kg @ 100 mph



EUROPEAN ANTENNAS LTD.

TEL: +44 (0)1638 731888

LAMBDA HOUSE, CHEVELEY,
NEWMARKET, SUFFOLK, CB8 9RG,
UNITED KINGDOM.

FAX: +44 (0)1638 731999

European Antennas Ltd. has a policy of continuous development and therefore stress that the data contained on this sheet should be used for guidance only.