



EUROPEAN ANTENNAS

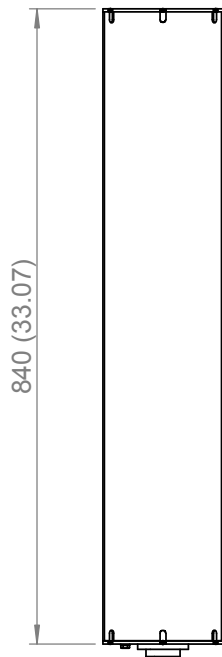
Excellence through design
Creative in concept

BASE STATION SECTOR ANTENNA

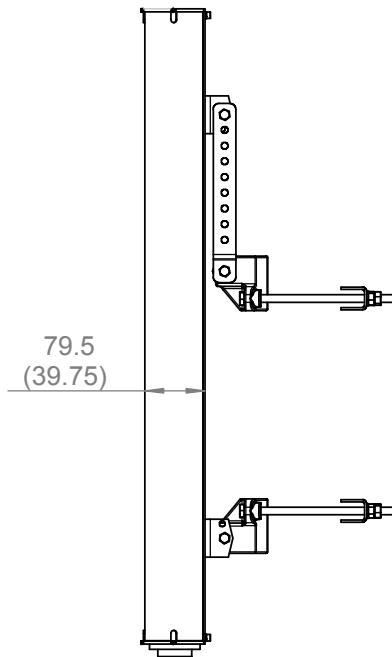
MODEL: SA15-120H-35B-D1/506

FREQUENCY:	3.40 - 3.60 GHz	GAIN:	12 dBi Peak & >10 dBi over 120°
POLARISATION:	Linear (Horizontal)	BEAMWIDTH:	120° (Az.) x 7° (El.) Approx.
CROSS POLAR:	> 20 dB	VSWR:	1.5 : 1 Max.
POWER RATING:	50 W	FRONT TO BACK:	25 dB Typical
TEMPERATURE:	-40° to +60°C	MASS:	7 Kg / 15.4 lbs (Inc. Mtg. Kit)
RADOME:	Gloss Grey - Glass Fibre	WIND LOADING:	21.7 Kg/47.7 lbs @ 100 mph
VRP:	First Null Fill > -24 dB	ELECTRICAL DOWN TILT:	2°

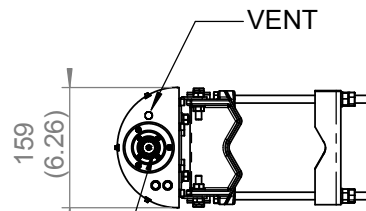
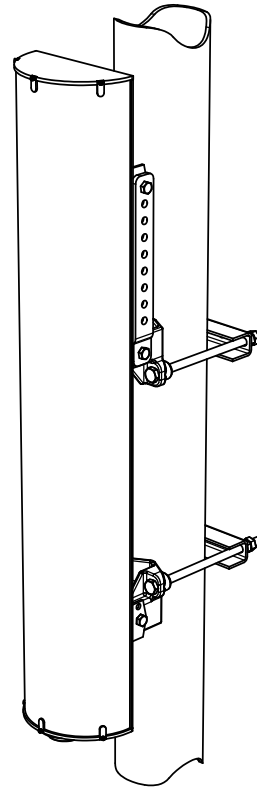
FRONT VIEW



SIDE VIEW



PICTORIAL VIEW



7/16(F) CONNECTOR

END VIEW

MOUNTING KIT (INCLUDED)
ADJUSTABLE TO
±21° IN ELEVATION
& SUITS POLE SIZES
40mm (1.6") TO 120mm (4.7")

DIMENSIONS: mm (inches) H

GA: 506-3 Issued: 070904

EUROPEAN ANTENNAS LTD.

Tel: +44 (0)1638 731888
Fax: +44 (0)1638 731999

LAMBDA HOUSE, CHEVELEY
NEWMARKET, SUFFOLK, CB8 9RG,
UNITED KINGDOM

E-Mail: sales@european-antennas.co.uk
Website: www.european-antennas.co.uk