



EUROPEAN ANTENNAS

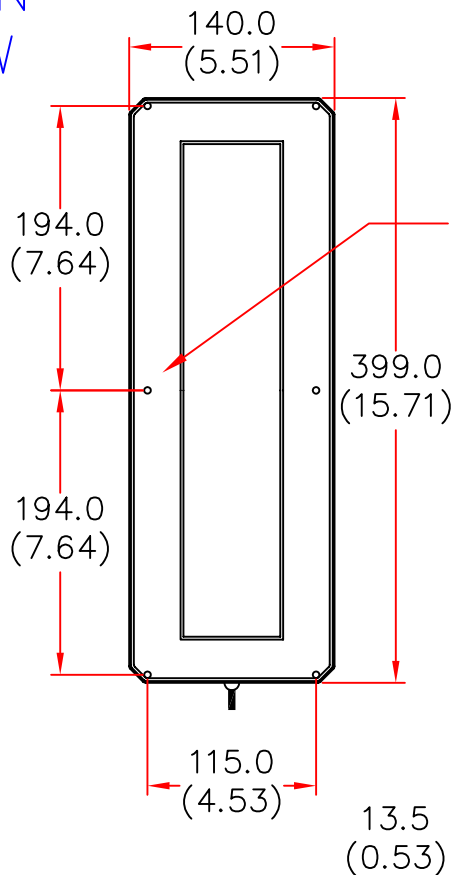


SECTOR ANTENNA

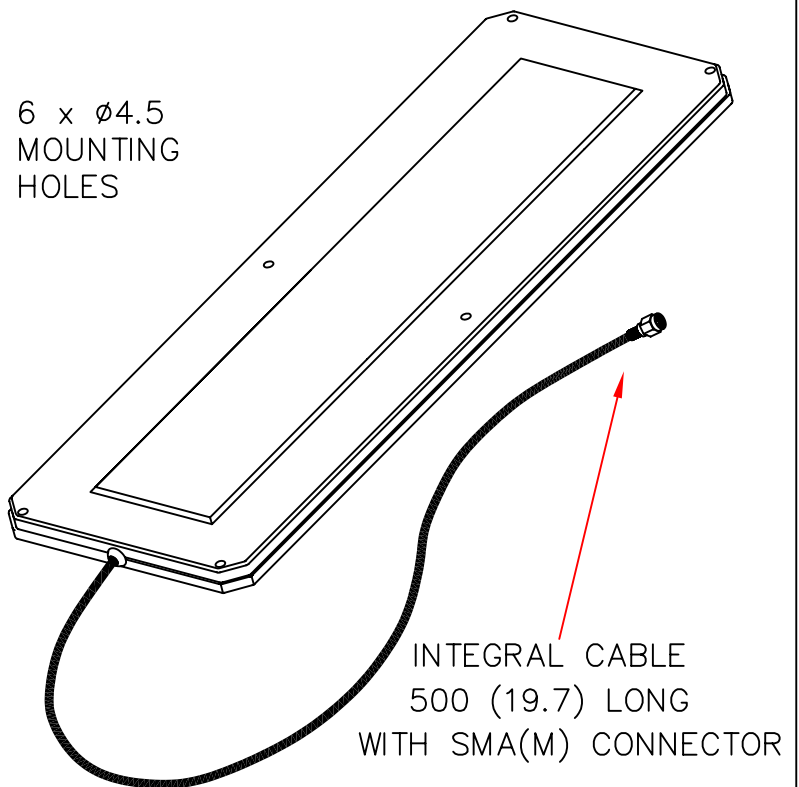
MODEL: SA10-1394V-701/413

FREQUENCY: 1.39-1.398GHz	GAIN: 10.25dBi
POLARISATION: Linear (Vertical)	BEAMWIDTH: 76° x 33°
CROSS POLAR: 30dB Typ	VSWR: 1.5 : 1 Max
POWER RATING: 1W	FRONT TO BACK: N/A
TEMPERATURE: -20°C to +50°C	MASS: .43Kg/.95lbs
RADOME: Grey Moulded Polymer	WIND LOADING: 9.0Kg/19.9lbs @100mph

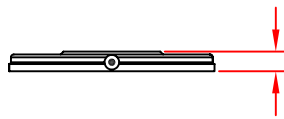
PLAN VIEW



ISOMETRIC VIEW



END VIEW



DIMENSIONS: mm (inches)

GA 413-1 Issued 090498

EUROPEAN ANTENNAS LTD.

TEL: +44 (0)1638 731888

LAMBDA HOUSE, CHEVELEY,
NEWMARKET, SUFFOLK, CB8 9RG,
UNITED KINGDOM.

FAX: +44 (0)1638 731999

European Antennas Ltd. has a policy of continuous development and therefore stress that the data contained on this sheet should be used for guidance only.