



EUROPEAN ANTENNAS

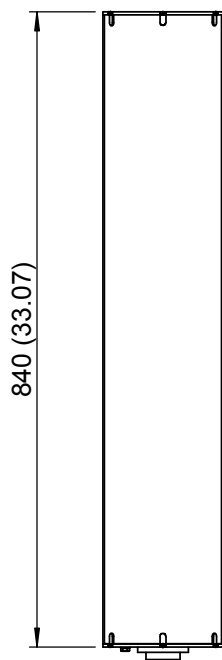
Excellence through design
Creative in concept

BASE STATION SECTOR ANTENNA

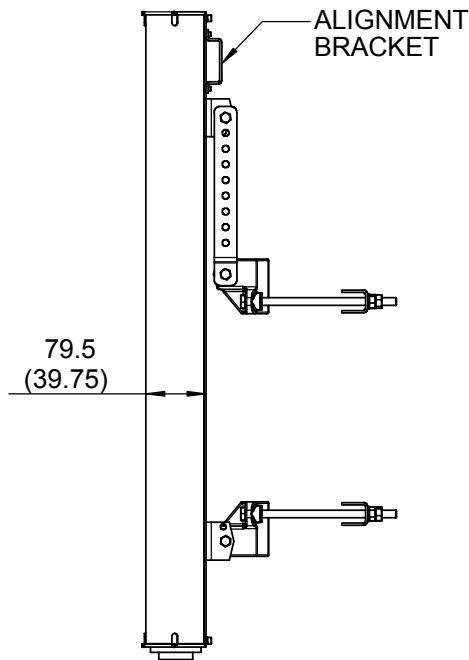
MODEL: SA15-120H-35B/529

FREQUENCY:	3.4 - 3.6 GHz	GAIN:	>12dBi Peak & >10dBi over 120°
POLARISATION:	Linear (Horizontal)	BEAMWIDTH:	120° (Az.) x 7° (El.) Approx.
CROSS POLAR:	> 20 dB	VSWR:	1.43 : 1 Max.
POWER RATING:	50 W	FRONT TO BACK:	25dB Typical
TEMPERATURE:	-40° to +60°C	MASS:	6.2Kg / 13.6 (Inc. Mtg. Kit)
RADOME:	Gloss Grey - Glass Fibre	WIND LOADING:	21.7Kg/47.7lbs @ 100 mph
VRP:	1st Null Fill > -24dB	ELECTRICAL DOWNTILT:	2°

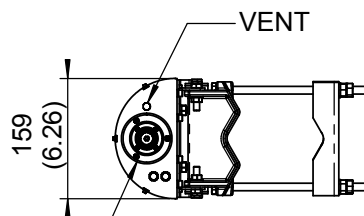
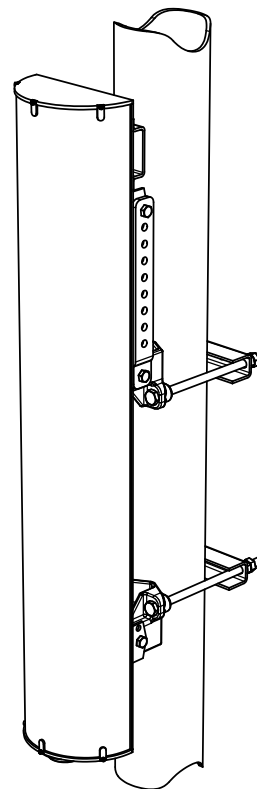
FRONT VIEW



SIDE VIEW



PICTORIAL VIEW



7/16(F) CONNECTOR

END VIEW

MOUNTING KIT (INCLUDED)
ADJUSTABLE TO
±21° IN ELEVATION
& SUITS POLE SIZES
40mm (1.6") TO 120mm (4.7")

DIMENSIONS: mm (inches) | H

GA: 0529-2 Issued: 150104

EUROPEAN ANTENNAS LTD.

Tel: +44 (0)1638 731888
Fax: +44 (0)1638 731999

LAMBDA HOUSE, CHEVELEY
NEWMARKET, SUFFOLK, CB8 9RG,
UNITED KINGDOM

E-Mail: sales@european-antennas.co.uk
Website: www.european-antennas.co.uk