



# EUROPEAN ANTENNAS

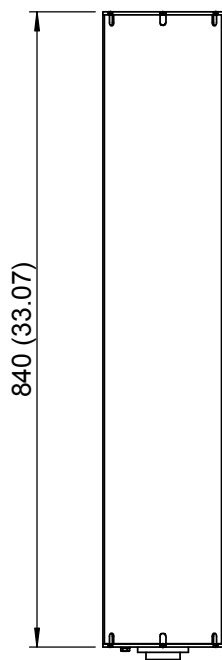
Excellence through design  
Creative in concept

## BASE STATION SECTOR ANTENNA

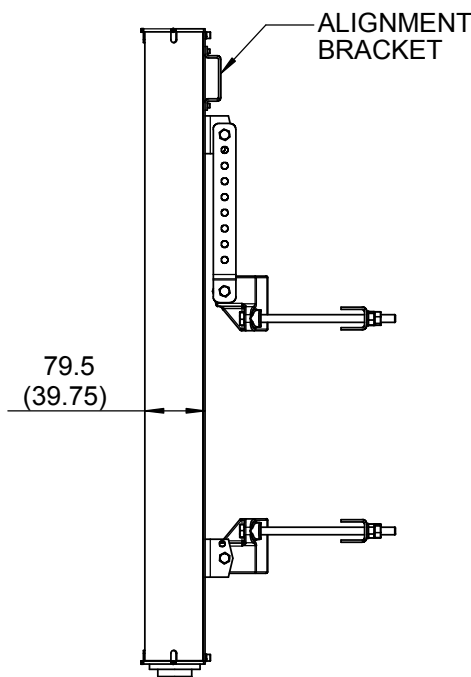
### MODEL: SA15-120V-35B/528

<b>FREQUENCY:</b>	3.4 - 3.6 GHz	<b>GAIN:</b>	>14dBi Peak & >11dBi over 120°
<b>POLARISATION:</b>	Linear (Vertical)	<b>BEAMWIDTH:</b>	120° (Az.) x 7° (El.) Approx.
<b>CROSS POLAR:</b>	25 dB Typical	<b>VSWR:</b>	1.43 : 1 Max.
<b>POWER RATING:</b>	50 W	<b>FRONT TO BACK:</b>	25dB Typical
<b>TEMPERATURE:</b>	-40° to +60°C	<b>MASS:</b>	6.2Kg / 13.6 (Inc. Mtg. Kit)
<b>RADOME:</b>	Gloss Grey - Glass Fibre	<b>WIND LOADING:</b>	21.7Kg/47.7lbs @ 100 mph
<b>VRP:</b>	1st Null Fill > -20dB	<b>ELECTRICAL DOWNTILT:</b>	2°

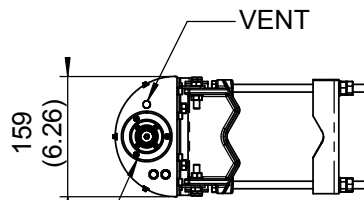
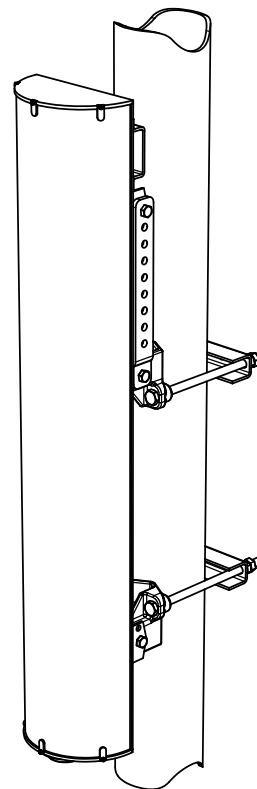
### FRONT VIEW



### SIDE VIEW



### PICTORIAL VIEW



7/16(F) CONNECTOR

### END VIEW

MOUNTING KIT (INCLUDED)  
ADJUSTABLE TO  
±21° IN ELEVATION  
& SUITS POLE SIZES  
40mm (1.6") TO 120mm (4.7")

DIMENSIONS: mm (inches) | H

GA: 0528-2 Issued: 150104

EUROPEAN ANTENNAS LTD.

Tel: +44 (0)1638 731888  
Fax: +44 (0)1638 731999

LAMBDA HOUSE, CHEVELEY  
NEWMARKET, SUFFOLK, CB8 9RG,  
UNITED KINGDOM

E-Mail: sales@european-antennas.co.uk  
Website: www.european-antennas.co.uk