



EUROPEAN ANTENNAS

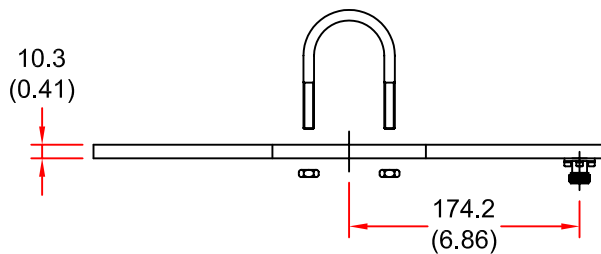
Excellence through design
Creative in concept



FLAT PANEL ANTENNA

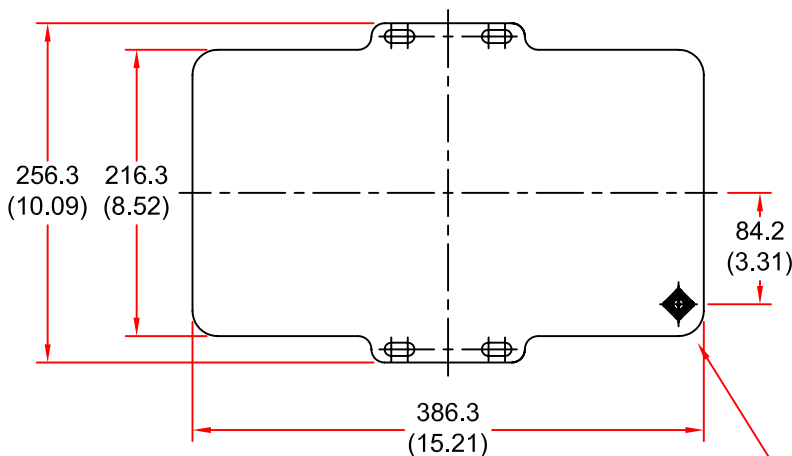
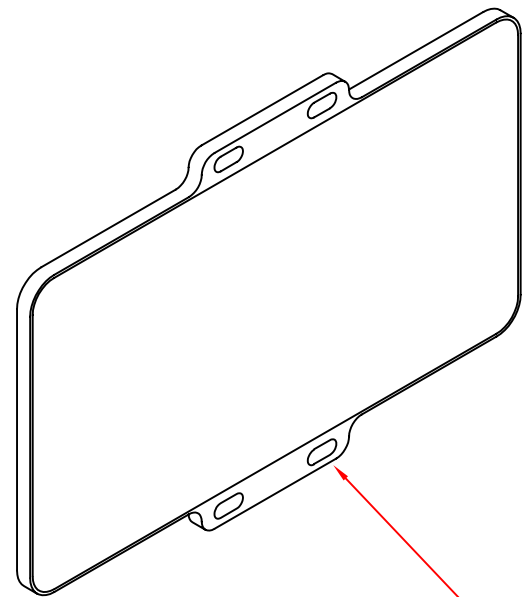
MODEL: FPA21-10A-50R/590

FREQUENCY:	5.072 - 5.520 GHz	GAIN:	20.5 dBiC Nominal
POLARISATION:	Right Hand Circular	BEAMWIDTH:	10° Azimuth, 20° Elevation
AXIAL RATIO:	3 dB Typical	VSWR:	1.5 : 1
POWER RATING:	25 W	FRONT TO BACK:	>40 dB
TEMPERATURE:	-20°C to +70°C	MASS:	1.5 Kg/3.3 lbs
RADOME:	Glass Fibre/Gloss White	WIND LOADING:	13.6 Kg/29.8 lbs @ 100 mph



SIDE VIEW

ISOMETRIC VIEW



REAR VIEW

MOUNTING TO 38.0 - 50.8MM
(1 1/2" - 2") POLE VIA U-BOLTS.
(SUPPLIED)

N(F) CONNECTOR

DIMENSIONS: mm (inches)

GA 590-2 Issued 130104

EUROPEAN ANTENNAS LTD.

TEL: +44 (0)1638 731888

FAX: +44 (0)1638 731999

LAMBDA HOUSE, CHEVELEY,
NEWMARKET, SUFFOLK, CB8 9RG,
UNITED KINGDOM.

E-Mail: sales@european-antennas.co.uk

Website: www.european-antennas.co.uk