



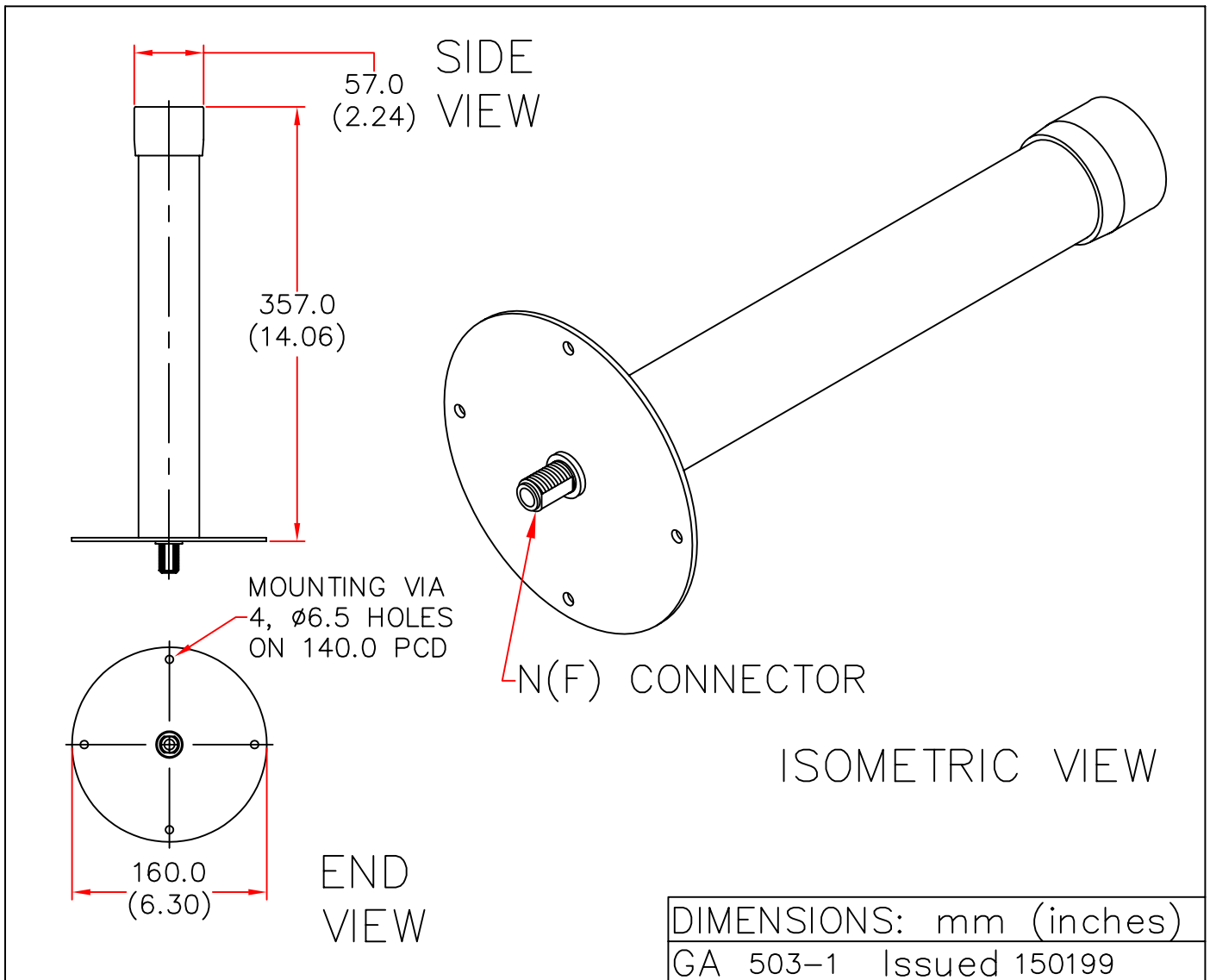
# EUROPEAN ANTENNAS



## SECTOR ANTENNA

MODEL: SA12-120-75V/503

FREQUENCY: 7.15 – 7.7 GHz	GAIN: 12 dBi
POLARISATION: Linear (Vertical)	BEAMWIDTH: 120° (Az.) x 10° (El.)
CROSS POLAR: 20dB Typ	VSWR: 2.0:1, 1.5:1 Typ
POWER RATING: 10 W	FRONT TO BACK: 15dB Typ
TEMPERATURE: -30°C to +60°C	MASS: 600g/1.32lbs
RADOME: Glass Fibre, Gloss White	WIND LOADING: 3.3kg/7.26LBS @ 100mph



EUROPEAN ANTENNAS LTD.

TEL: +44 (0)1638 731888

LAMBDA HOUSE, CHEVELEY,  
NEWMARKET, SUFFOLK, CB8 9RG,  
UNITED KINGDOM.

FAX: +44 (0)1638 731999

European Antennas Ltd. has a policy of continuous development and therefore stress that the data contained on this sheet should be used for guidance only.