



# EUROPEAN ANTENNAS

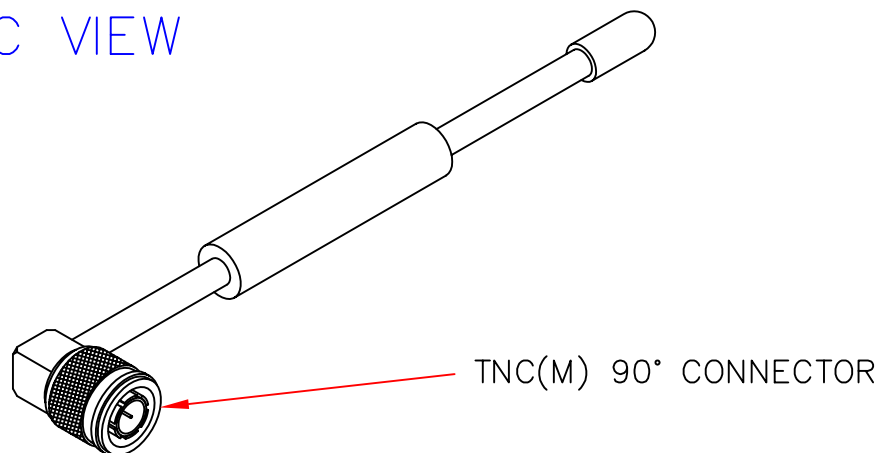


## SLIM DIPOLE ANTENNA

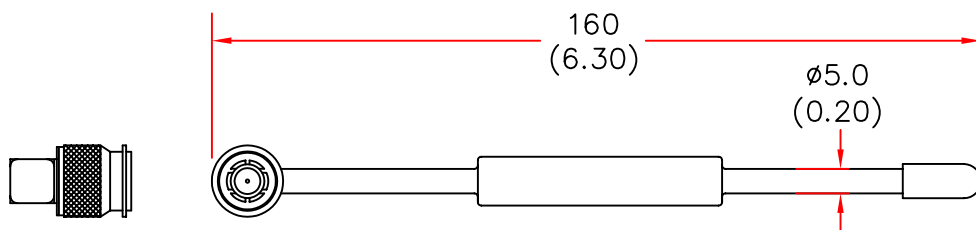
MODEL: SVD2-1297-TNC(M)90/502

FREQUENCY: 1.247 – 1.347 GHz	GAIN: 2 dBi
POLARISATION: Linear (Vertical)	BEAMWIDTH: 360° x 80°
CROSS POLAR: 15 dB	VSWR: 1.5 : 1 Typ
POWER RATING: 20 W	FRONT TO BACK: N/A
TEMPERATURE: -20°C to +50°C	MASS: 70 g/2.5 oz
FINISH: Matt Black	WIND LOADING: N/A

### ISOMETRIC VIEW



END  
VIEW



SIDE  
VIEW

DIMENSIONS: mm (inches)

GA 502-1 Issued 190299

EUROPEAN ANTENNAS LTD.

TEL: +44 (0)1638 731888

LAMBDA HOUSE, CHEVELEY,  
NEWMARKET, SUFFOLK, CB8 9RG,  
UNITED KINGDOM.

FAX: +44 (0)1638 731999

European Antennas Ltd. has a policy of continuous development and therefore stress that the data contained on this sheet should be used for guidance only.