



EUROPEAN ANTENNAS

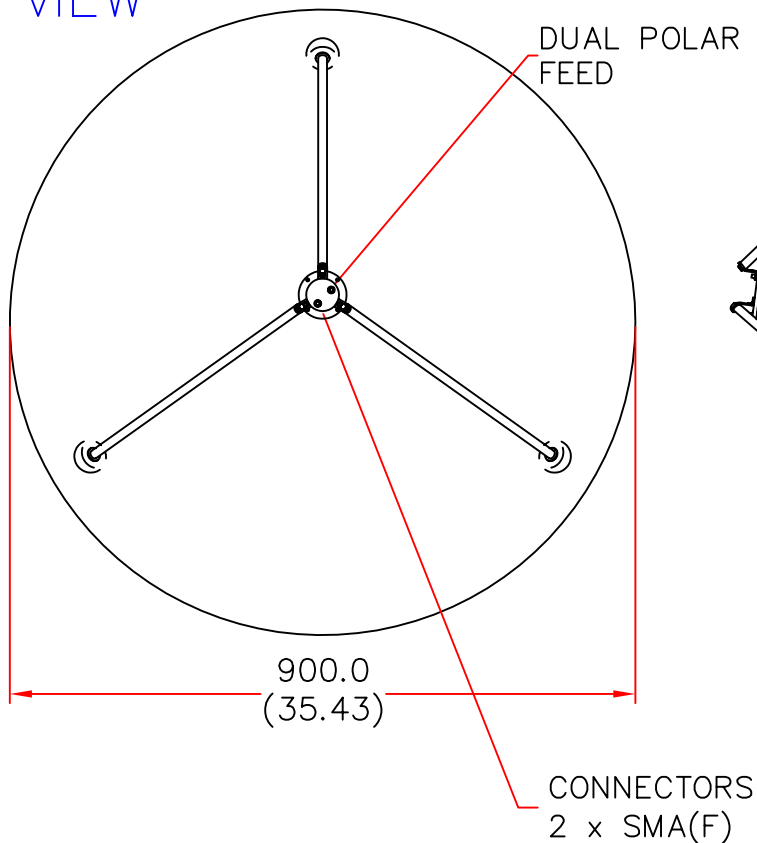


90cm PARABOLIC ANTENNA

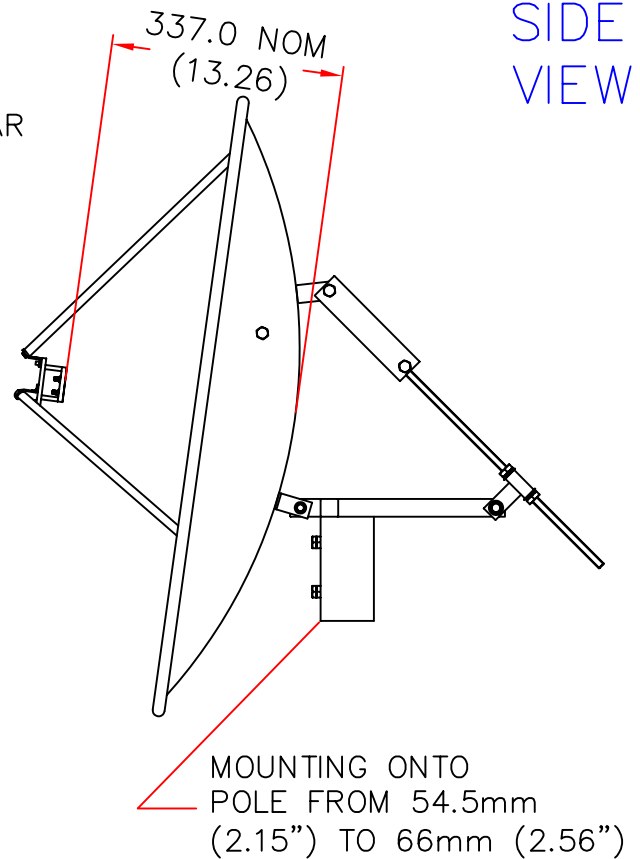
MODEL: PR33-82VH-D1/498

FREQUENCY: 7.9-8.4 GHz	GAIN: 33dBi Min
POLARISATION: Dual Linear (V&H)	BEAMWIDTH: 3.5° X 3.5° Approx
CROSS POLAR: 12dB Typical	VSWR: 1.5:1
POWER RATING: 2 x 10W	FRONT TO BACK: 50dB Typical
TEMPERATURE: -20°C to +50°C	MASS: 7.0Kg/15.4lbs
FINISH: White Radome/ Black Feed	WIND LOADING: 142.9Kg/314.3lbs @ 100mph

FRONT
VIEW



SIDE
VIEW



DIMENSIONS: mm (inches)

GA 498-1 Issued 230299

EUROPEAN ANTENNAS LTD.

TEL: +44 (0)1638 731888

LAMBDA HOUSE, CHEVELEY,
NEWMARKET, SUFFOLK, CB8 9RG,
UNITED KINGDOM.

FAX: +44 (0)1638 731999

European Antennas Ltd. has a policy of continuous development and therefore stress that the data contained on this sheet should be used for guidance only.