



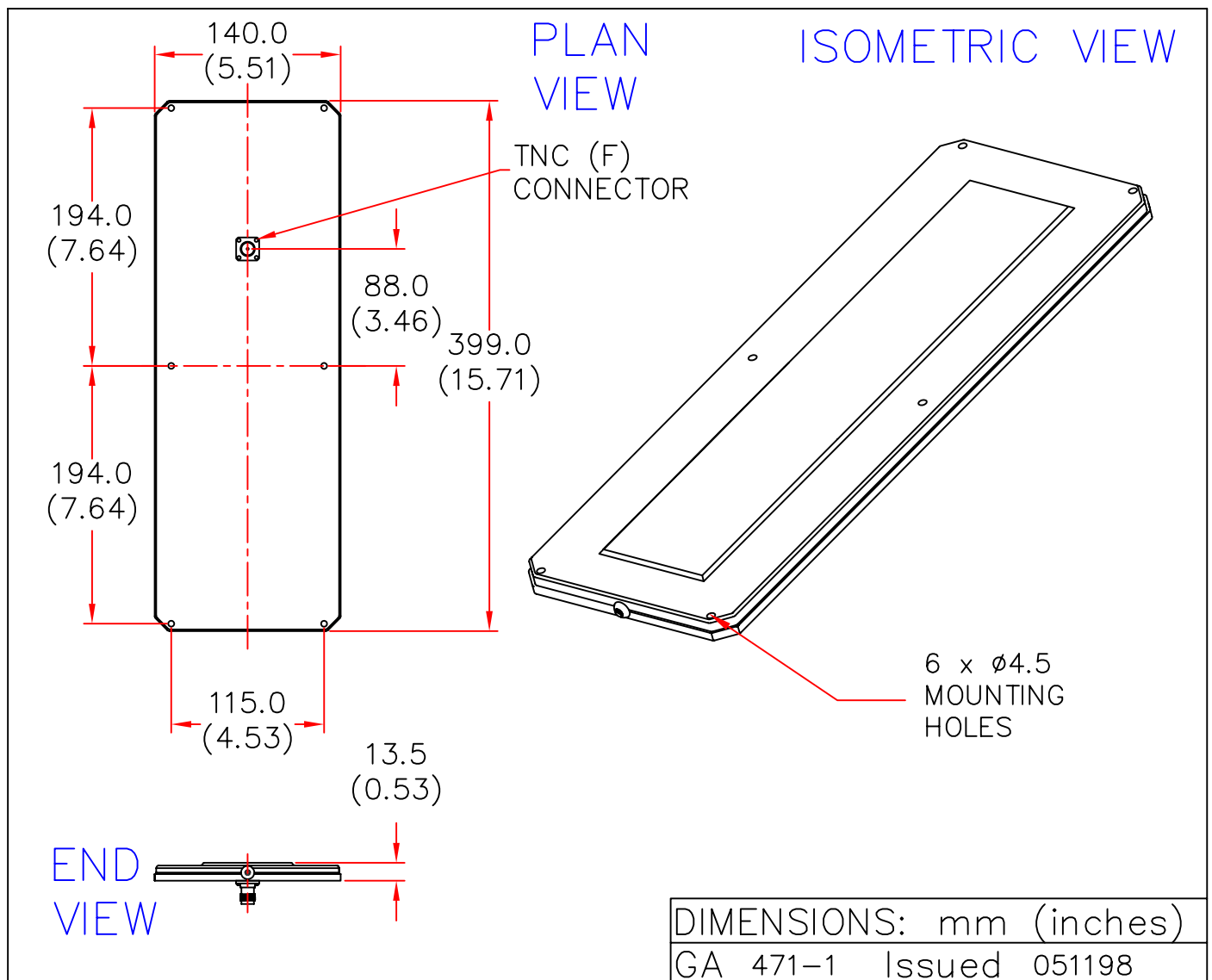
EUROPEAN ANTENNAS



SECTOR ANTENNA

MODEL: SA10-40-1910V/471

FREQUENCY: 1895-1920MHz	GAIN: 10dBi
POLARISATION: Linear (Vertical)	BEAMWIDTH: 50° x 85°
CROSS POLAR: 20dB Typ	VSWR: 2:1 Max
POWER RATING: 5W	FRONT TO BACK: N/A
TEMPERATURE: -20°C to +50°C	MASS: 400g / 14 Oz
RADOME: Grey Moulded Polymer	WIND LOADING: 9.0Kg/19.9lbs @100mph



EUROPEAN ANTENNAS LTD.

TEL: +44 (0)1638 731888

LAMBDA HOUSE, CHEVELEY,
NEWMARKET, SUFFOLK, CB8 9RG,
UNITED KINGDOM.

FAX: +44 (0)1638 731999

European Antennas Ltd. has a policy of continuous development and therefore stress that the data contained on this sheet should be used for guidance only.