



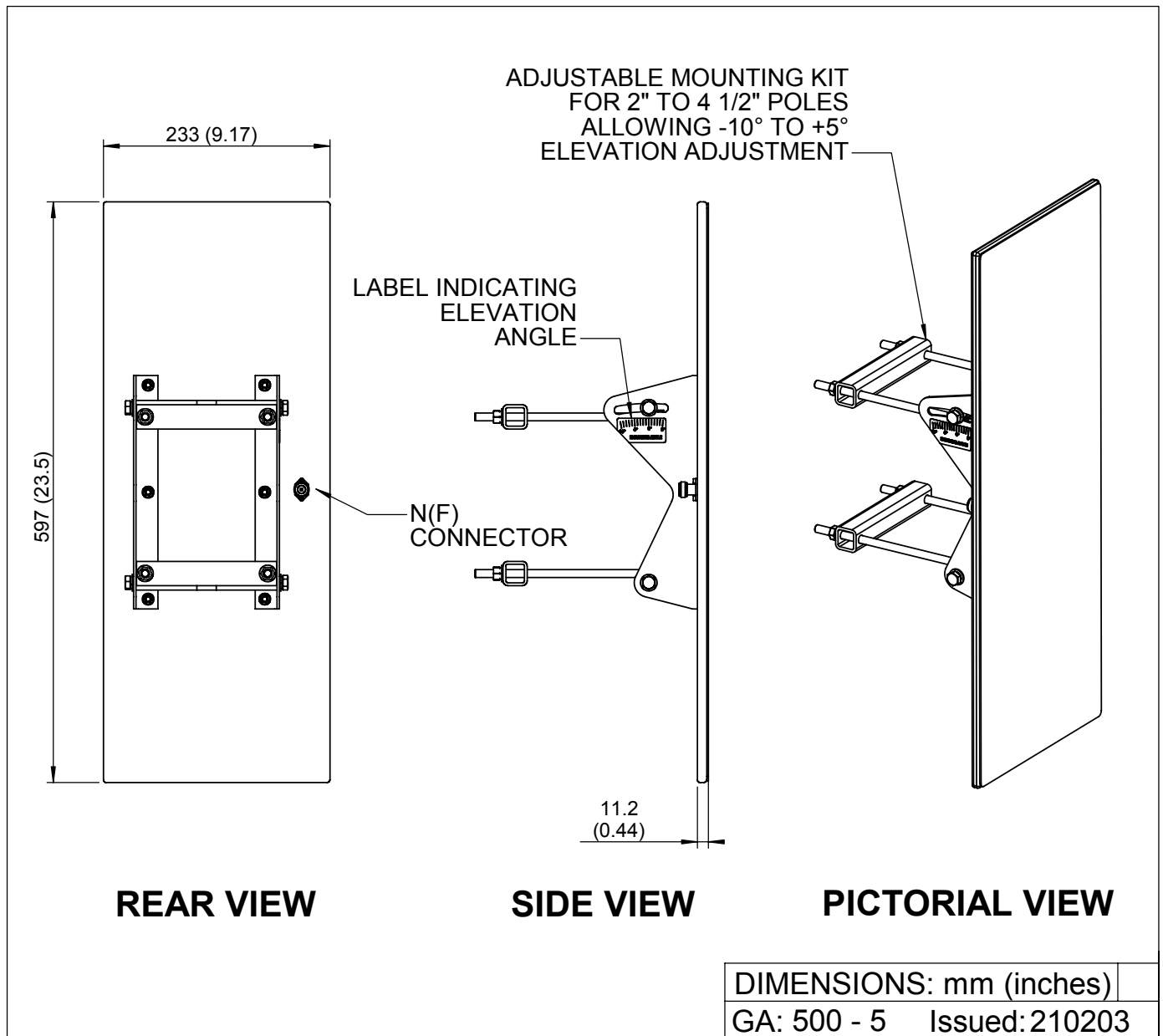
EUROPEAN ANTENNAS

Excellence through design
Creative in concept

SECTOR ANTENNA

MODEL: SA18-30-35V/500

FREQUENCY:	3.4 - 3.6 GHz	GAIN:	18 dBi Min.
POLARISATION:	Linear (Vertical)	BEAMWIDTH:	30° (Az.) x 8° (El.)
CROSS POLAR:	20 dB Min.	VSWR:	1.5 : 1
POWER RATING:	25 W	FRONT TO BACK:	35 dB Min.
TEMPERATURE:	-45° to +80°C	MASS:	2.2 Kg / 4.8 lbs (Excl. Mtg. Kit)
RADOME:	Glass Fibre/Gloss White	WIND LOADING:	25.6 Kg/56.3 lbs @ 100 mph



EUROPEAN ANTENNAS LTD.

Tel: +44 (0)1638 731888
Fax: +44 (0)1638 731999

LAMBDA HOUSE, CHEVELEY
NEWMARKET, SUFFOLK, CB8 9RG,
UNITED KINGDOM

E-Mail: sales@european-antennas.co.uk
Website: www.european-antennas.co.uk