



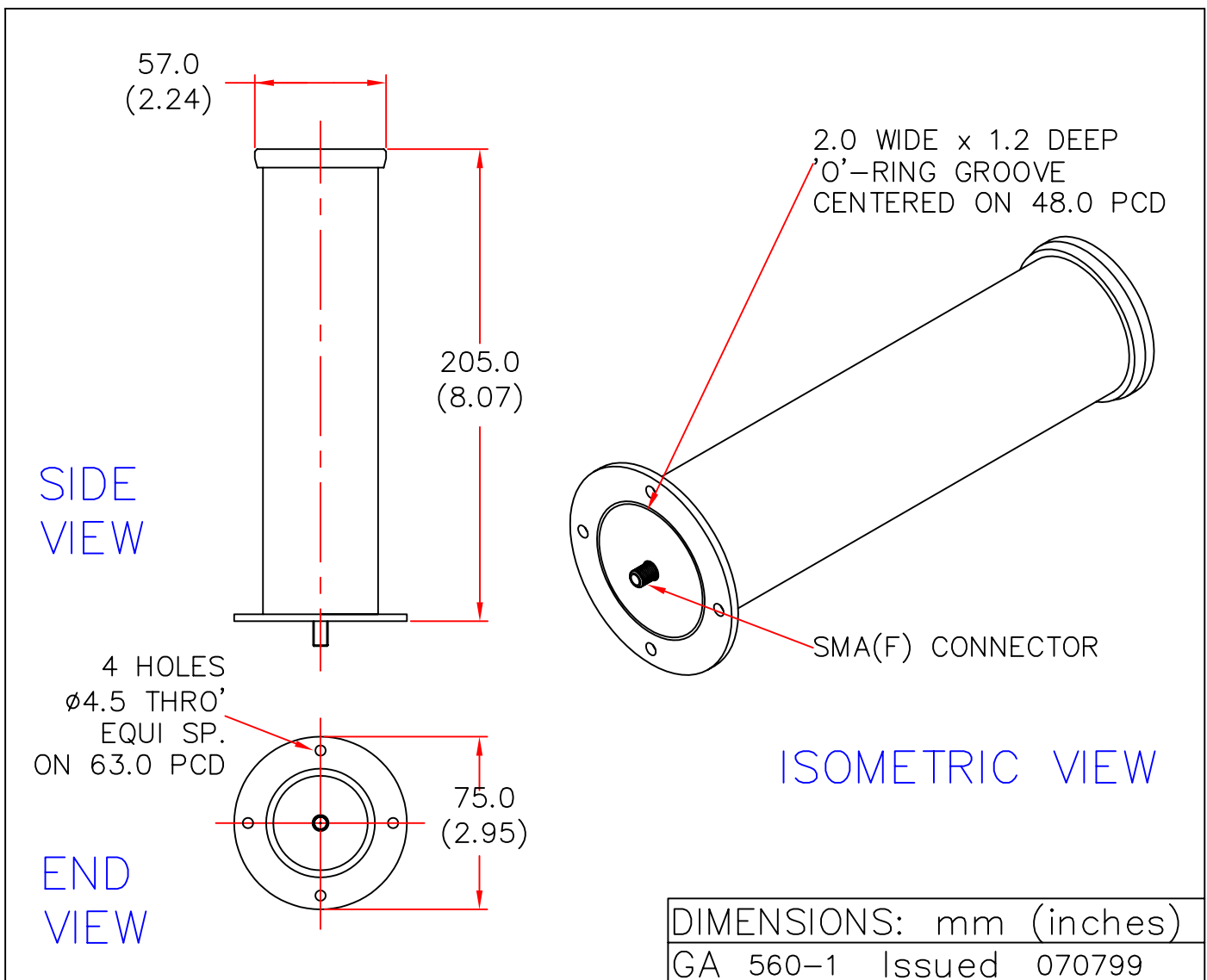
EUROPEAN ANTENNAS



EXTENDED PERFORMANCE OMNI ANTENNA

MODEL: XP02-30-42/560

FREQUENCY: 3.3 – 4.2 GHz	GAIN: 4.0 dBi Nominal on Horizon
POLARISATION: Linear (Vertical)	BEAMWIDTH: 360° x 40°
CROSS POLAR: 25dB Minimum	VSWR: 2.5:1 Max, 2.0:1 Typical
POWER RATING: 20W	FRONT TO BACK: N/A
TEMPERATURE: -30°C to +60°C	MASS: 215g/0.47lbs
RADOME: Glass Fibre/Gloss White	WIND LOADING: 1.9Kg/4.17lbs @ 100mph



EUROPEAN ANTENNAS LTD.

TEL: +44 (0)1638 731888

LAMBDA HOUSE, CHEVELEY,
NEWMARKET, SUFFOLK, CB8 9RG,
UNITED KINGDOM.

FAX: +44 (0)1638 731999

European Antennas Ltd. has a policy of continuous development and therefore stress that the data contained on this sheet should be used for guidance only.