



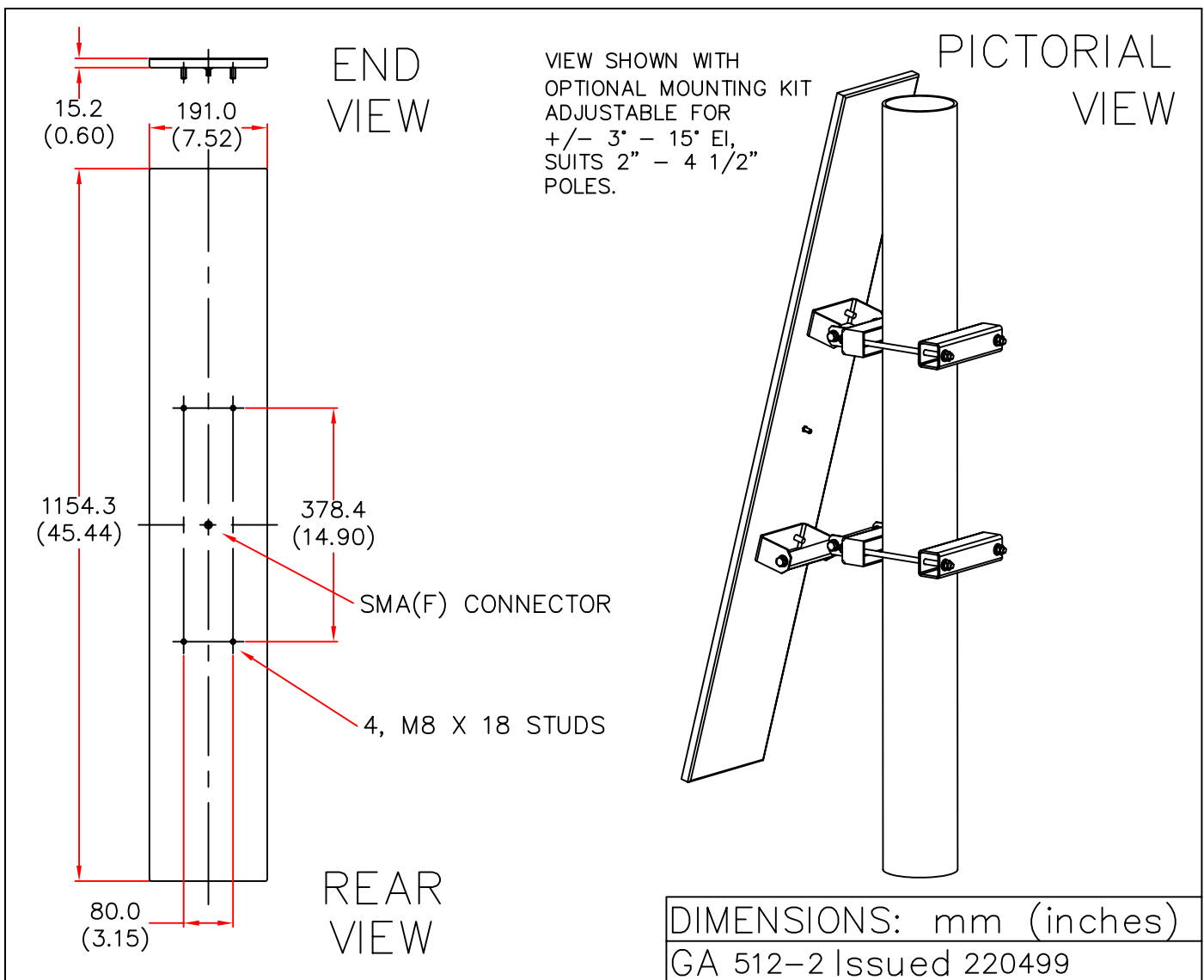
EUROPEAN ANTENNAS



SECTOR ANTENNA

MODEL: SA16-15R/512

FREQUENCY: 1.420-1.555 GHz	GAIN: 16dBiC Min
POLARISATION: R.H.Circular	BEAMWIDTH: 60° x 10°
AXIAL RATIO: 3dB Typical	VSWR: 2.0:1 Max
POWER RATING: 20W	FRONT TO BACK: 30dB
TEMPERATURE: -20°C to +35°C	MASS: 2.45Kg (Excluding Brackets)
RADOME: Glass Fibre/White Marine Finish	WIND LOADING: 35.8Kg/78.7lbs @ 100mph



EUROPEAN ANTENNAS LTD.

TEL: +44 (0)1638 731888

LAMBDA HOUSE, CHEVELEY,
NEWMARKET, SUFFOLK, CB8 9RG,
UNITED KINGDOM.

FAX: +44 (0)1638 731999

European Antennas Ltd. has a policy of continuous development and therefore stress that the data contained on this sheet should be used for guidance only.