

# SA13-34V/323

# COBHAM

## Sector Antenna

The most important thing we build is trust

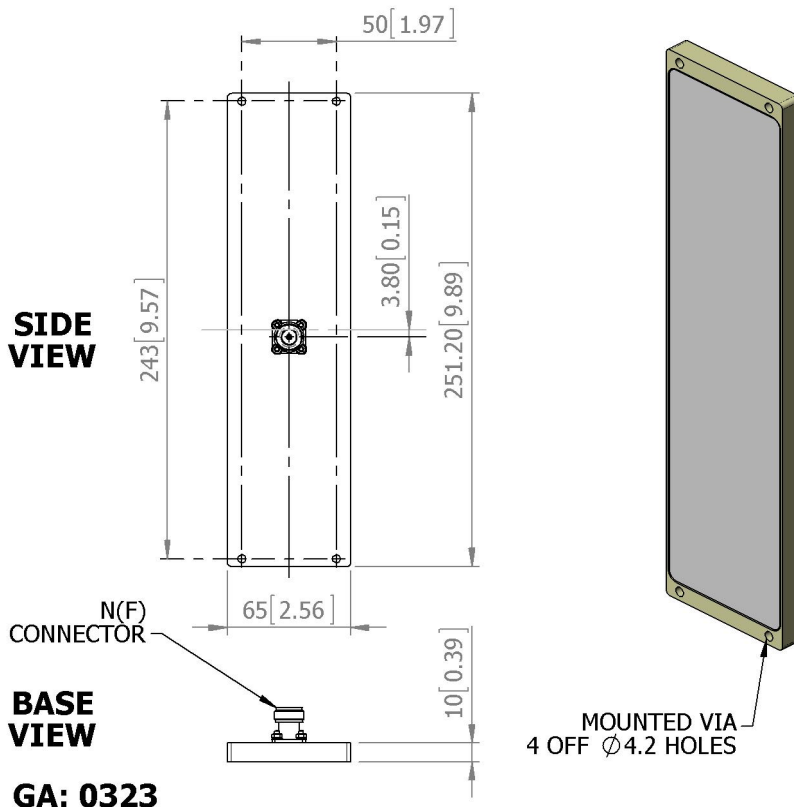
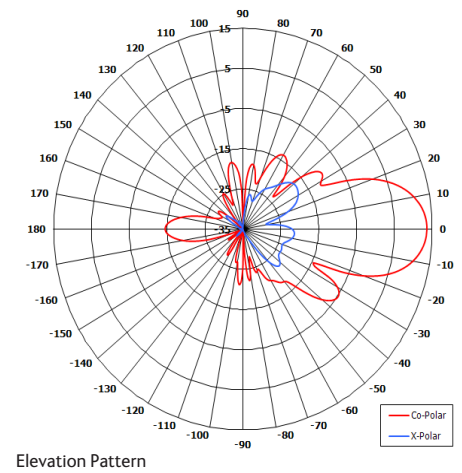
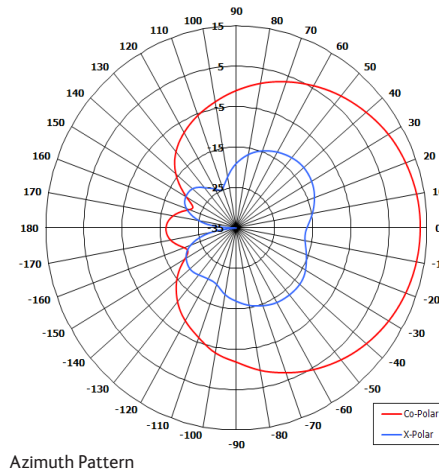
Designed for Commercial Applications

Vertical Polarisation

Suitable for Multiple Applications

Low Profile

Rugged



### ELECTRICAL

Frequency	3.40 - 3.50 GHz
Gain	13 dBi Nom
Polarisation	Linear (Vertical)
Beamwidth	80° (Az) x 20° (El) Approx
Cross Polar	20 dB Typ
VSWR	1.5: 1
Power Rating	5 W
Front to Back	25 dB

### MECHANICAL

Standard Finish	White Radome
Mass	0.35 Kg (0.77 lbs)
Temperature	-20° to +50°C
Wind Loading	2.6 Kg (5.8 lbs) @ 100 mph

### MOUNTING OPTIONS

Kits Available	N/A
See separate data sheets	

### ADDITIONAL NOTES

Issued 200511

European Antennas Limited trading as Cobham Antenna Systems, Microwave Antennas

European Antennas Limited has a policy of continuous development and stress that the information provided is a guide only and does not constitute an offer or contract or part thereof. Whilst every effort is made to ensure the accuracy of the information contained in this brochure, no responsibility can be accepted for any errors or omissions.

The copyright of antenna designs and images is copyright protected and owned by European Antennas Limited.  
©European Antennas Limited

For further information please contact:

Cobham Antenna Systems, Microwave Antennas

Lambda House, Cheveley,

Newmarket, Suffolk CB8 9RG, UK.

Tel +44 (0)1638 732 177

Fax +44 (0) 1638 731999

Email [antennasystems.ma@cobham.com](mailto:antennasystems.ma@cobham.com)